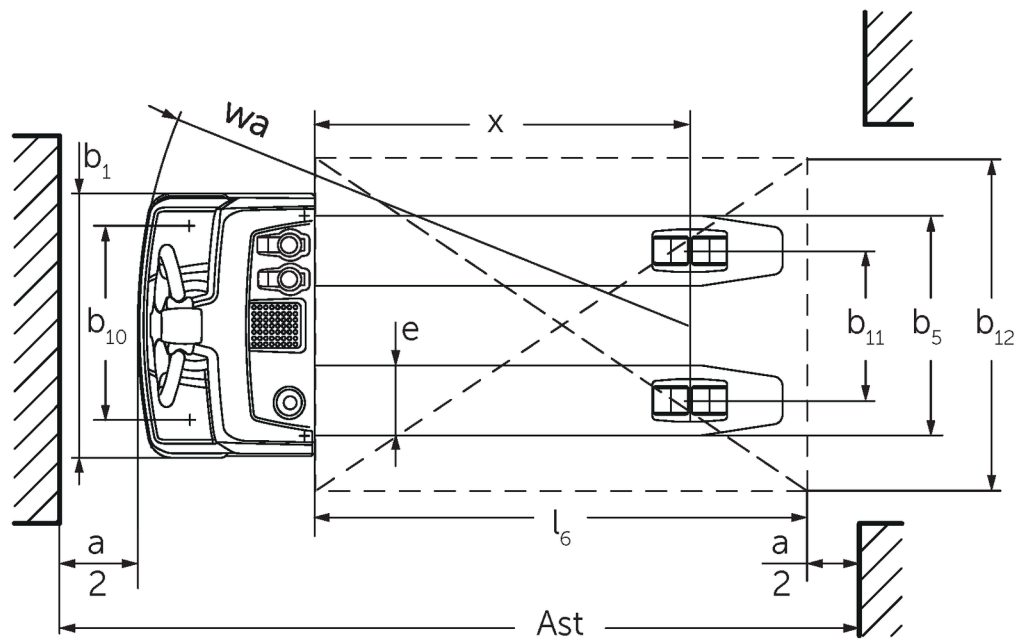
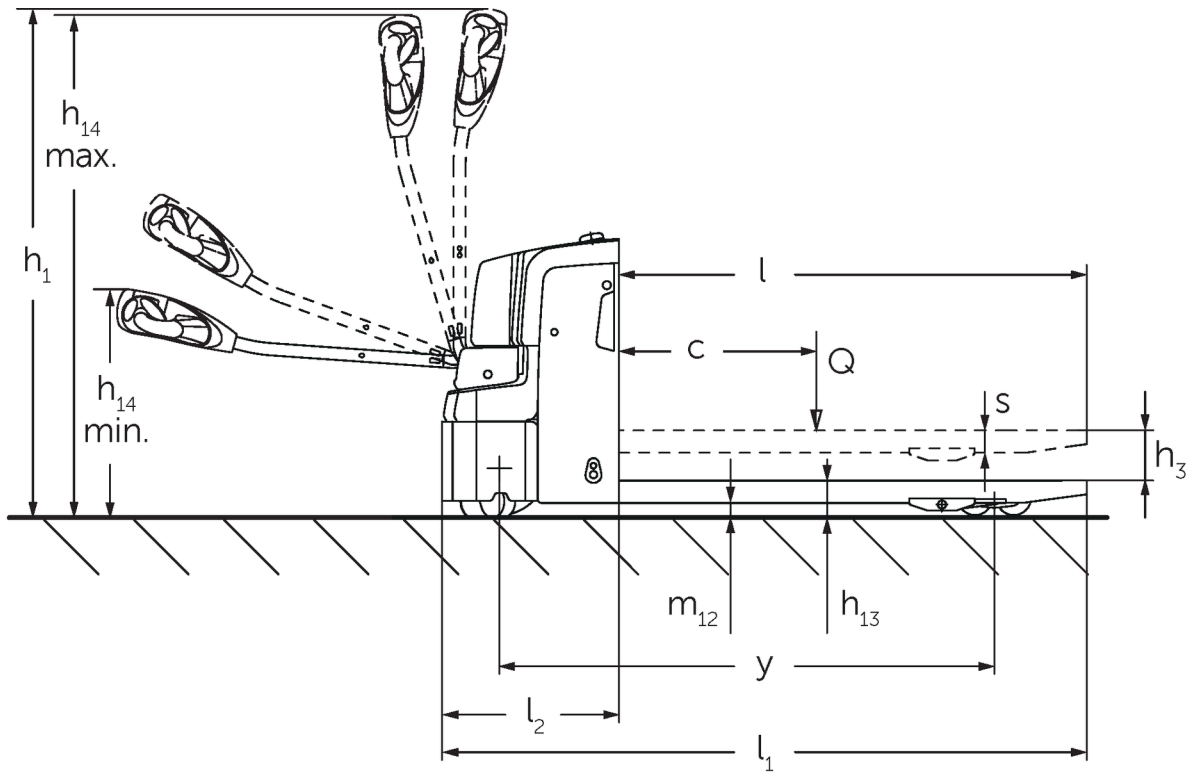




## **Electric pedestrian pallet truck** **EJE M13 / M15**

**Lift height: 120 mm / Load capacity: 1300-1500 kg**

# EJE M13 / M15



# VDI table

Stand-on: 08/2022

Characteristic	1.1	Manufacturer (abbreviated description)		Jungheinrich					
	1.2	Manufacturer's type designation		<b>EJE M13 550 x 1,150 weighing system</b>	<b>EJE M13 670x1550</b>	<b>EJE M15 540x1000</b>	<b>EJE M15 670x1000</b>	<b>EJE M15 670x1150</b>	<b>EJE M13 540x1150 Li-Ion</b>
	1.3	Drive		Electric					
	1.4	Operation		Pedestrian					
	1.5	Load capacity/load	Q kg	1300		1500			1300
	1.6	Load centre distance	c mm	600					
	1.8	Load distance, centre of drive axle to fork	x mm	894	914	764		914	
	1.9	Wheelbase	y mm	1212		1062			1212
	Weights	2.1.1	Service weight (incl. battery)	kg	244	219			
2.2		Axle load laden front/rear	kg	735 / 809	703 / 816	700 / 1019			703 / 816
2.3		Axle load unladen front/rear	kg	176 / 68	166 / 53				
Wheels/suspension system	3.1	Tyres		TPU/PU					
	3.2	Tyre size, front		Ø230x65					
	3.3	Tyre size, rear		Ø80x70					
	3.4	Additional wheels		2 x Ø80x40					
	3.5	Wheels, number front/back (x=driven)		1x+2/4					
	3.6	Tread width, front	b <sub>10</sub> mm	460					
	3.7	Tread width, rear	b <sub>11</sub> mm	368					
Basic dimensions	4.4	Lift (h <sub>3</sub> )	h <sub>3</sub> mm	120					
	4.9	Height of tiller handle in drive position min./max.	mm	740 / 1190					
	4.15	Height, lowered	h <sub>13</sub> mm	90	85				
	4.19	Overall length	l <sub>1</sub> mm	1605	1585	1435		1585	
	4.20	Length including fork shank	l <sub>2</sub> mm	455	435				
	4.21.1	Overall width	b <sub>1</sub> mm	650	670	650	670		650
	4.22	Fork dimensions	s/e/l mm	60 x 182 x 1150	55 x 172 x 1150	55 x 172 x 1000		55 x 172 x 1150	
	4.25	Width across forks	b <sub>5</sub> mm	550	670	540	670		540
	4.32	Ground clearance centre of wheelbase	m <sub>2</sub> mm	35					
	4.34.1	Aisle width (pallet 1000x1200 sideways)	Ast mm	1663	1643	1493		1643	
	4.34.2	Aisle width (pallet 800x1200 length)	Ast mm	1863	1843	1693		1843	
	4.35	Turning radius	W <sub>a</sub> mm	1357		1207			1357
Performance data	5.1	Travel speed laden/unladen	km/h	4.5 / 5					
	5.2	Lift speed laden/unladen	m/s	0.05 / 0.06					
	5.3	Lowering speed laden/unladen	m/s	0.08 / 0.04					
	5.8	Max. gradeability laden/unladen	%	4 / 10					

	5.10	Service brake		electric		
E-motor/Electronics	6.1	Drive motor, performance S2 60 min	kW	0.6		
	6.2	Lift motor, performance with S3	kW	1.2		
	6.3	Battery according to DIN 43531/35/36		no		
	6.4	Battery voltage/nominal capacity	V / Ah	24 / 65	24 / 90	25.6 / 50
	6.5	Battery weight	kg	35	53	15
	6.6.1	Energy consumption according to EN cycle	kWh/h	0.24	0.27	0.24
	6.6.2	CO2 equivalent as per EN 16796	kg/h	0.1	0.2	0.1
Other	8.1	Type of drive control		AC		
	10.7	Sound level as per EN12053, operator's ear	dB (A)	66		
- This data sheet according to VDI guideline 2198 only states the technical values of the standard truck. Different tyres, other masts, additional equipment etc. may result in different values.						

Characteristic	1.1	Manufacturer (abbreviated description)		Jungheinrich					
	1.2	Manufacturer's type designation		<b>EJE M13 550 x 1,150 with weighing function / Li-ion</b>	<b>EJE M13 670x1550 Li-ion</b>	<b>EJE M15 540x1000 Li-ion</b>	<b>EJE M15 540x1150 Li-ion</b>	<b>EJE M15 550 x 1,150 with weighing function / Li-ion</b>	<b>EJE M15 670x1000 Li-ion</b>
	1.3	Drive		Electric					
	1.4	Operation		Pedestrian					
	1.5	Load capacity/load	Q kg	1300			1500		
	1.6	Load centre distance	c mm	600					
	1.8	Load distance, centre of drive axle to fork	x mm	894	914	764	914	894	764
	1.9	Wheelbase	y mm	1212		1062	1212		1062
	Weights	2.1.1	Service weight (incl. battery)	kg	224	199		224	199
2.2		Axle load laden front/rear	kg	735 / 809	703 / 816	700 / 1019		730 / 1014	700 / 1019
2.3		Axle load unladen front/rear	kg	176 / 68	166 / 53		176 / 68	166 / 53	
Wheels/suspension system	3.1	Tyres		TPU/PU					
	3.2	Tyre size, front		Ø230x65					
	3.3	Tyre size, rear		Ø80x70					
	3.4	Additional wheels		2 x Ø80x40					
	3.5	Wheels, number front/back (x=driven)		1x+2/4					
	3.6	Tread width, front	b <sub>10</sub> mm	460					

	3.7	Tread width, rear	b <sub>11</sub> mm	368					
Basic dimensions	4.4	Lift (h <sub>3</sub> )	h <sub>3</sub> mm	120					
	4.9	Height of tiller handle in drive position min./max.	mm	740 / 1190					
	4.15	Height, lowered	h <sub>13</sub> mm	90	85		90	85	
	4.19	Overall length	l <sub>1</sub> mm	1605	1585	1435	1585	1605	1435
	4.20	Length including fork shank	l <sub>2</sub> mm	455	435			455	435
	4.21.1	Overall width	b <sub>1</sub> mm	650	670	650		670	
	4.22	Fork dimensions	s/ e/l mm	60 x 182 x 1150	55 x 172 x 1150	55 x 172 x 1000	55 x 172 x 1150	60 x 182 x 1150	55 x 172 x 1000
	4.25	Width across forks	b <sub>5</sub> mm	550	670	540		550	670
	4.32	Ground clearance centre of wheelbase	m <sub>2</sub> mm	35					
	4.34.1	Aisle width (pallet 1000x1200 sideways)	A <sub>st</sub> mm	1663	1643	1493	1643	1663	1493
	4.34.2	Aisle width (pallet 800x1200 length)	A <sub>st</sub> mm	1863	1843	1693	1843	1863	1693
	4.35	Turning radius	W <sub>a</sub> mm	1357		1207	1357		1207
	Performance data	5.1	Travel speed laden/unladen	km/h	4.5 / 5				
5.2		Lift speed laden/unladen	m/s	0.05 / 0.06					
5.3		Lowering speed laden/unladen	m/s	0.08 / 0.04					
5.8		Max. gradeability laden/unladen	%	4 / 10					
5.10		Service brake		electric					
E-motor/Electronics	6.1	Drive motor, performance S2 60 min	kW	0.6					
	6.2	Lift motor, performance with S3	kW	1.2					
	6.3	Battery according to DIN 43531/35/36		no					
	6.4	Battery voltage/nominal capacity	V / Ah	25.6 / 50					
	6.5	Battery weight	kg	15					
	6.6.1	Energy consumption according to EN cycle	kWh/h	0.24		0.27			
	6.6.2	CO2 equivalent as per EN 16796	kg/h	0.1		0.2			
Other	8.1	Type of drive control		AC					
	10.7	Sound level as per EN12053, operator's ear	dB (A)	66					

- This data sheet according to VDI guideline 2198 only states the technical values of the standard truck. Different tyres, other masts, additional equipment etc. may result in different values.

Characteristic	1.1	Manufacturer (abbreviated description)		Jungheinrich	
	1.2	Manufacturer's type designation		<b>EJE M15 670x1150 Li-Ion</b>	
	1.3	Drive		Electric	
	1.4	Operation		Pedestrian	
	1.5	Load capacity/load	Q	kg	1500
	1.6	Load centre distance	c	mm	600
	1.8	Load distance, centre of drive axle to fork	x	mm	914
	1.9	Wheelbase	y	mm	1212
Weights	2.1.1	Service weight (incl. battery)		kg	199
	2.2	Axle load laden front/rear		kg	700 / 1019
	2.3	Axle load unladen front/rear		kg	166 / 53
Wheels/suspension system	3.1	Tyres			TPU/PU
	3.2	Tyre size, front			Ø230x65
	3.3	Tyre size, rear			Ø80x70
	3.4	Additional wheels			2 x Ø80x40
	3.5	Wheels, number front/back (x=driven)			1x+2/4
	3.6	Tread width, front	b <sub>10</sub>	mm	460
	3.7	Tread width, rear	b <sub>11</sub>	mm	368
Basic dimensions	4.4	Lift (h <sub>3</sub> )	h <sub>3</sub>	mm	120
	4.9	Height of tiller handle in drive position min./max.		mm	740 / 1190
	4.15	Height, lowered	h <sub>13</sub>	mm	85
	4.19	Overall length	l <sub>1</sub>	mm	1585
	4.20	Length including fork shank	l <sub>2</sub>	mm	435
	4.21.1	Overall width	b <sub>1</sub>	mm	670
	4.22	Fork dimensions	s/e/l	mm	55 x 172 x 1150
	4.25	Width across forks	b <sub>3</sub>	mm	670
	4.32	Ground clearance centre of wheelbase	m <sub>2</sub>	mm	35
	4.34.1	Aisle width (pallet 1000x1200 sideways)	Ast	mm	1643
	4.34.2	Aisle width (pallet 800x1200 length)	Ast	mm	1843
	4.35	Turning radius	W <sub>a</sub>	mm	1357
Performance data	5.1	Travel speed laden/unladen		km/h	4.5 / 5
	5.2	Lift speed laden/unladen		m/s	0.05 / 0.06
	5.3	Lowering speed laden/unladen		m/s	0.08 / 0.04
	5.8	Max. gradeability laden/unladen		%	4 / 10
	5.10	Service brake			electric
E - motor/Electronics	6.1	Drive motor, performance S2 60 min		kW	0.6
	6.2	Lift motor, performance with S3		kW	1.2
	6.3	Battery according to DIN 43531/35/36			no
	6.4	Battery voltage/nominal capacity		V / Ah	25.6 / 50
	6.5	Battery weight		kg	15
	6.6.1	Energy consumption according to EN cycle		kWh/h	0.27
	6.6.2	CO2 equivalent as per EN 16796		kg/h	0.2
Other	8.1	Type of drive control			AC
	10.7	Sound level as per EN12053, operator's ear		dB (A)	66

- This data sheet according to VDI guideline 2198 only states the technical values of the standard truck. Different tyres, other masts, additional equipment etc. may result in different values.

The German production facilities in  
Norderstedt, Moosburg and Landsberg  
are certified.

ISO 9001  
ISO 14001

Jungheinrich fork lift trucks meet  
European safety requirements.



 **JUNGHEINRICH**