

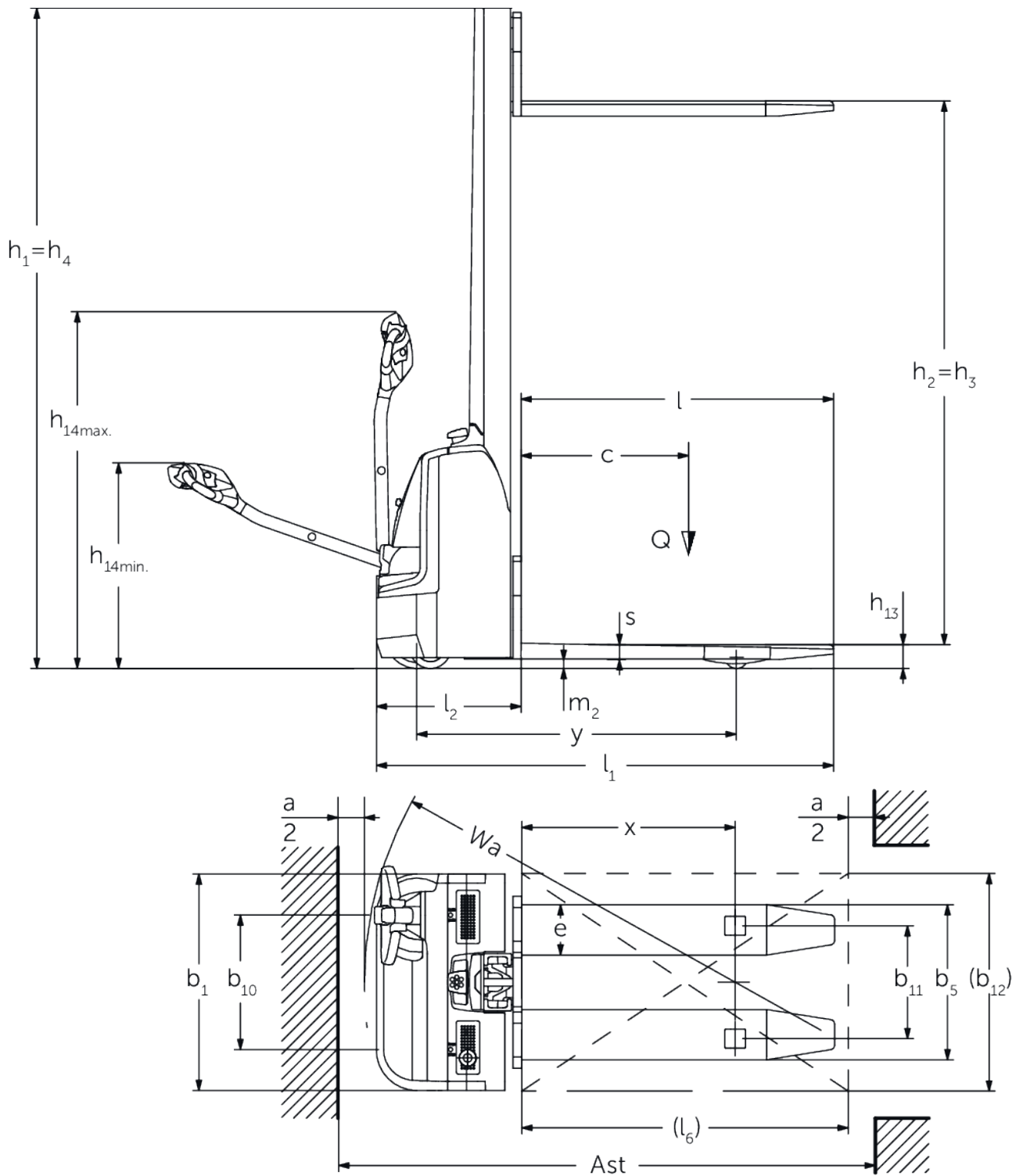


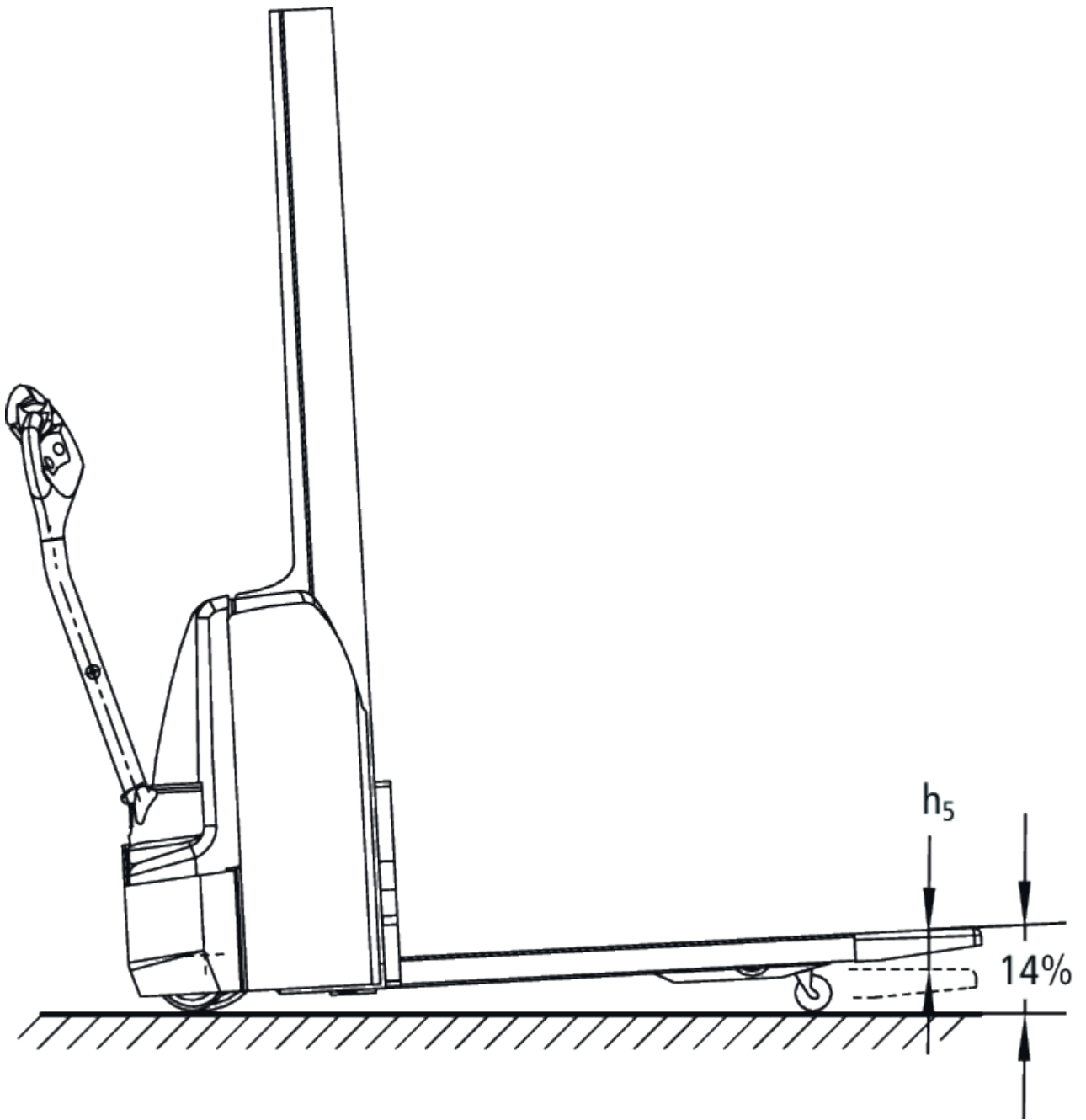
Electric pedestrian stacker **EMC 105 / 110 / B10**

Lift height: 1540-2000 mm / Load capacity: 1000 kg

 JUNGHEINRICH

EMC 105 / 110 / B10





EMC 105 / 110 / B10



EMC 105 / 110 / B10

EMC 105, EMC 110 , EMC B10	Lift (h3)	Retracted mast height (h1)	Free lift (h2)	Extended mast height (h4)
	1540 mm	1970 mm	1540 mm	1970 mm
	2000 mm	2430 mm	2000 mm	2430 mm

VDI table

Stand-on: 08/2022

Characteristic	1.1	Manufacturer (abbreviated description)		Jungheinrich		
	1.2	Manufacturer's type designation		EMC 105	EMC 110	EMC B10
1.3	Drive		Electric			
1.4	Operation		Pedestrian/tiller			
1.5	Load capacity/load	Q kg	500	1000		
1.6	Load centre distance	c mm	600			
1.8	Load distance, centre of drive axle to fork	x mm	764	784		
1.9	Wheelbase	y mm	1149	1168		
Weights	2.1.1	Service weight (incl. battery)	kg	460	490	535
	2.2	Axle load laden front/rear	kg	465 / 485	500 / 990	530 / 1005
	2.3	Axle load unladen front/rear	kg	330 / 130	350 / 140	390 / 145
Wheels/suspension system	3.1	Tyres		Polyurethane (PU)		
	3.2	Tyre size, front		Ø 230 x 70		
	3.3	Tyre size, rear		Ø 38 x 60	Ø 77 x 70 / Ø 77 x 50	Ø 77 x 75 / Ø 77 x 50
	3.4	Additional wheels		Ø 150 x 54		Ø 140x 54
	3.5	Wheels, number front/back (x=driven)		1x +1 / 4	1x +1/2	
	3.6	Tread width, front	b ₁₀ mm	510		
	3.7	Tread width, rear	b ₁₁ mm	365	415	1000
	3.7.1	2. Tread width, rear	mm	-		1170
	3.7.2	3. Tread width, rear	mm	-		1370
Basic dimensions	4.2	Retracted mast height (h1)	h ₁ mm	1970		
	4.3	Free lift (h2)	h ₂ mm	1588	1540	
	4.4	Lift (h3)	h ₃ mm	1588	1540	
	4.5	Extended mast height (h4)	h ₄ mm	1970		
	4.9	Height of tiller handle in drive position min./max.	mm	821 / 1305		
	4.15	Height, lowered	h ₁₃ mm	40	88	
	4.19	Overall length	l ₁ mm	1685		
	4.20	Length including fork shank	l ₂ mm	535		
	4.21.1	Overall width	b ₁ mm	800		
	4.21.2	Overall width	b ₂ mm	-		1100
	4.22	Fork dimensions	s/ e/l mm	34 x 185 x 1150	56 x 185 x 1150	
	4.25	Width across forks	b ₅ mm	550	570	
	4.32	Ground clearance centre of wheelbase	m ₂ mm	8	30	40
	4.34.1	Aisle width (pallet 1000x1200 sideways)	Ast mm	2247	1945	
	4.34.2	Aisle width (pallet 800x1200 length)	Ast mm	2125	1995	
4.35	Turning radius	W _a mm	1334	1378		
Performance data	5.1	Travel speed laden/unladen	km/h	4.2 / 5		
	5.2	Lift speed laden/unladen	m/s	0.09 / 0.16		
	5.3	Lowering speed laden/unladen	m/s	0.12 / 0.13		
	5.7	Gradeability laden/unladen	%	3.5 / 15		
	5.10	Service brake		generative		
E - motor/ Electronics	6.1	Drive motor, performance S2 60 min	kW	0.5		
	6.2	Lift motor, performance with S3	kW	1.5		
	6.3	Battery according to DIN 43531/35/36		no		
	6.4	Battery voltage/nominal capacity	V / Ah	12 / 70		

	6.5	Battery weight	kg	63
	6.6.1	Energy consumption according to EN cycle	kWh/h	0.4
	6.6.2	CO2 equivalent as per EN 16796	kg/h	0.2
Other	8.1	Type of drive control		AC
	10.7	Sound level as per EN12053, operator's ear	dB (A)	70
- This data sheet according to VDI guideline 2198 only states the technical values of the standard truck. Different tyres, other masts, additional equipment etc. may result in different values.				

Values for MM1540 mast

- VDI no. 4.21: with EMC B10: support arm width available in 3 dimensions: 1,100 / 1,270 / 1,470 mm
- VDI no. 4.34.1: diagonal as per VDI: aisle width + 272 mm
- VDI no. 4.34.2: diagonal as per VDI: aisle width + 160 mm

The German production facilities in
Norderstedt, Moosburg and Landsberg
are certified.

ISO 9001
ISO 14001

Jungheinrich fork lift trucks meet
European safety requirements.



 **JUNGHEINRICH**