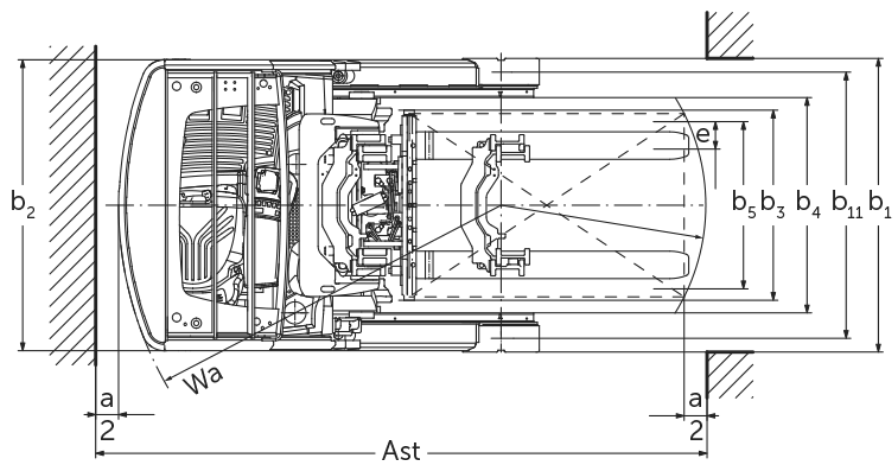
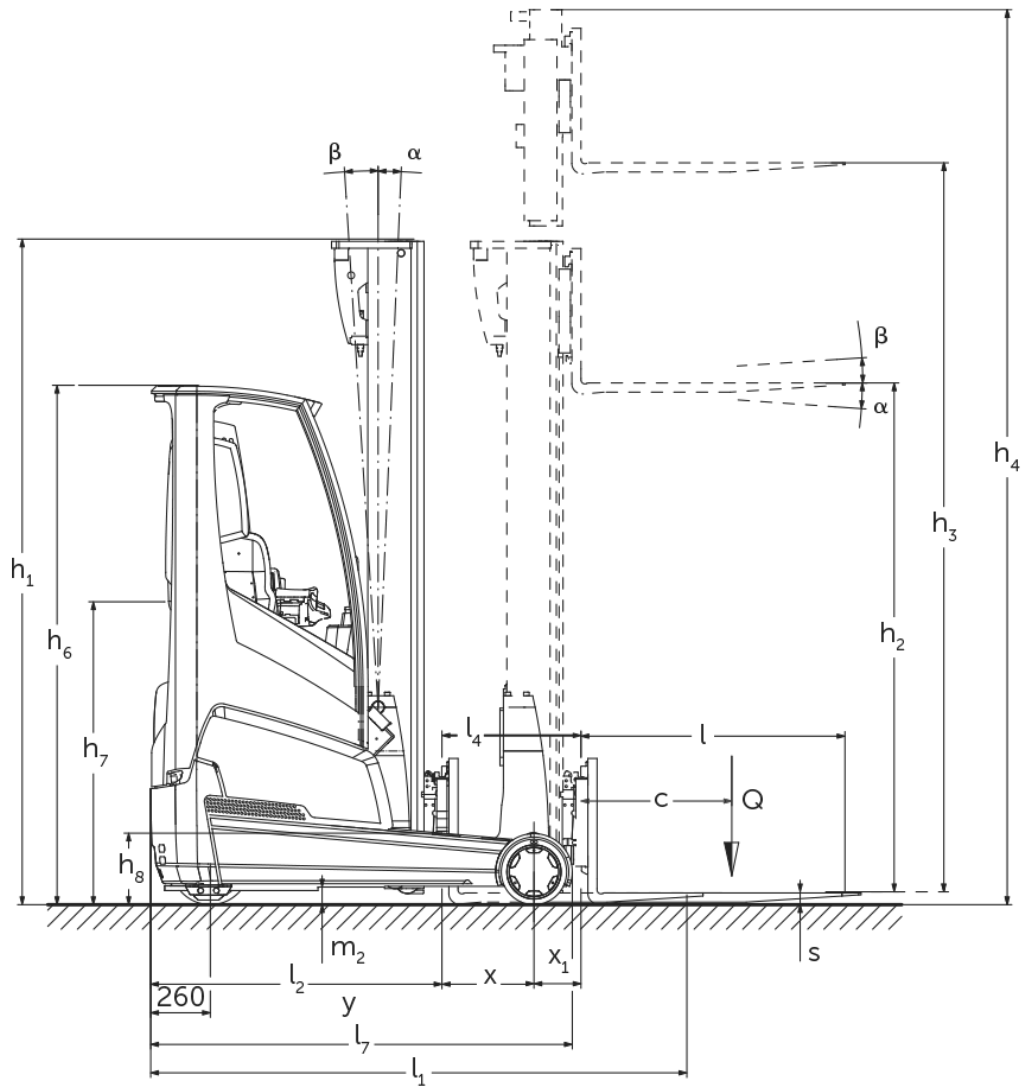




Electric reach truck **ETV 216i**

Lift height: 4550-10700 mm / Load capacity: 1600 kg

ETV 216i



ETV 216i

ETV 216i	Lift (h3)	Retracted mast height (h1)	Free lift (h2)	Extended mast height (h4)	Forward/backward tilt of mast	Forward/backward tilt of fork carriage
Fork tilt / Triplex mast DZ / cold-formed	5000 mm	2200 mm	1546 mm	5654 mm		2 / 5 °
	5300 mm	2300 mm	1646 mm	5954 mm		2 / 5 °
	5600 mm	2400 mm	1746 mm	6254 mm		2 / 5 °
	5900 mm	2500 mm	1846 mm	6554 mm		2 / 5 °
	6500 mm	2700 mm	2046 mm	7154 mm		2 / 5 °
	6800 mm	2800 mm	2146 mm	7454 mm		2 / 5 °
	7100 mm	2900 mm	2246 mm	7754 mm		2 / 5 °
	7400 mm	3000 mm	2346 mm	8054 mm		2 / 5 °
	7700 mm	3100 mm	2446 mm	8354 mm		2 / 5 °
	8000 mm	3200 mm	2546 mm	8654 mm		2 / 5 °
	8300 mm	3300 mm	2646 mm	8954 mm		2 / 5 °
	8420 mm	3340 mm	2686 mm	9074 mm		2 / 5 °
	8720 mm	3440 mm	2786 mm	9374 mm		2 / 5 °
	9020 mm	3540 mm	2886 mm	9674 mm		2 / 5 °
	9410 mm	3670 mm	3016 mm	10064 mm		2 / 5 °
	9920 mm	3840 mm	3186 mm	10574 mm		2 / 5 °
	10250 mm	3950 mm	3296 mm	10904 mm		2 / 5 °
	10520 mm	4040 mm	3386 mm	11174 mm		2 / 5 °
10700 mm	4100 mm	3446 mm	11354 mm		2 / 5 °	
Mast tilt / Triplex mast DZ / cold-formed	6500 mm	2700 mm	2046 mm	7154 mm	0.5 / 2 °	
	6800 mm	2800 mm	2146 mm	7454 mm	0.5 / 2 °	
	7100 mm	2900 mm	2246 mm	7754 mm	0.5 / 2 °	
	7310 mm	2970 mm	2316 mm	7964 mm	0.5 / 1 °	
	7400 mm	3000 mm	2346 mm	8054 mm	0.5 / 1 °	
	7700 mm	3100 mm	2446 mm	8354 mm	0.5 / 1 °	
	8000 mm	3200 mm	2546 mm	8654 mm	0.5 / 1 °	
	8300 mm	3300 mm	2646 mm	8954 mm	0.5 / 1 °	
	8420 mm	3340 mm	2686 mm	9074 mm	0.5 / 1 °	
	8720 mm	3440 mm	2786 mm	9374 mm	0.5 / 1 °	
	9020 mm	3540 mm	2886 mm	9674 mm	0.5 / 1 °	
Mast tilt / Triplex mast DZ / hot-rolled	4550 mm	2050 mm	1396 mm	5204 mm	1 / 3 °	
	5000 mm	2200 mm	1546 mm	5654 mm	1 / 3 °	
	5240 mm	2280 mm	1626 mm	5894 mm	1 / 3 °	
	5300 mm	2300 mm	1646 mm	5954 mm	1 / 3 °	
	5450 mm	2350 mm	1696 mm	6104 mm	1 / 3 °	
	5600 mm	2400 mm	1746 mm	6254 mm	1 / 3 °	
	5720 mm	2440 mm	1786 mm	6374 mm	1 / 3 °	
	5900 mm	2500 mm	1846 mm	6554 mm	1 / 3 °	
	6200 mm	2600 mm	1946 mm	6854 mm	1 / 3 °	
	6500 mm	2700 mm	2046 mm	7154 mm	0.5 / 2 °	
	6800 mm	2800 mm	2146 mm	7454 mm	0.5 / 2 °	
	7100 mm	2900 mm	2246 mm	7754 mm	0.5 / 2 °	
	7310 mm	2970 mm	2316 mm	7964 mm	0.5 / 1 °	
	7400 mm	3000 mm	2346 mm	8054 mm	0.5 / 1 °	
	Triplex mast DZ / cold-formed	6200 mm	2600 mm	1946 mm	6854 mm	

VDI table

Stand-on: 08/2022

Characteristic	1.1	Manufacturer (abbreviated description)		Jungheinrich
	1.2	Manufacturer's type designation		ETV 216i
	1.3	Drive		Electric
	1.4	Operation		Sideways-seated
	1.5	Load capacity/load	Q kg	1600
	1.6	Load centre distance	c mm	600
	1.8	Load distance, centre of drive axle to fork	x mm	401
	1.8.1	Load distance, centre of drive axle to fork, mast extended	mm	215
	1.9	Wheelbase	y mm	1410
Weights	2.1.1	Service weight (incl. battery)	kg	3438
	2.3	Axle load unladen front/rear	kg	2292 / 1146
	2.4	Axle load fork forward laden front/rear	kg	902 / 4132
	2.5	Axle load fork back laden front/rear	kg	2024 / 3014
Wheels/suspension system	3.1	Tyres		Polyurethane (PU)
	3.2	Tyre size, front		Ø 343 x 114
	3.3	Tyre size, rear		Ø 285 x 100
	3.5	Wheels, number front/back (x=driven)		1x / 2
	3.7	Tread width, rear	b ₁₁ mm	1168
Basic dimensions	4.1	Forward/backward tilt of mast	a/β °	1 / 3
	4.2	Retracted mast height (h1)	h ₁ mm	2300
	4.3	Free lift (h2)	h ₂ mm	1646
	4.4	Lift (h3)	h ₃ mm	5300
	4.5	Extended mast height (h4)	h ₄ mm	5954
	4.7	Height of overhead guard (cab)	h ₆ mm	2263
	4.8	Seat height/stand height	h ₇ mm	1079
	4.10	Height of support arms	h ₈ mm	309
	4.19	Overall length	l ₁ mm	2419
	4.20	Length including fork shank	l ₂ mm	1269
	4.21.1	Overall width	b ₁ mm	1282
	4.21.2	Overall width	b ₂ mm	1270
	4.22	Fork dimensions	s/e/l mm	40 x 120 x 1150
	4.23	Fork carriage connection class		2B
	4.24	Fork carriage width	b ₃ mm	830
	4.25	Width across forks	b ₅ mm	335
	4.25.1	Width across forks (min.)	b ₅ mm	335
	4.26	Width between support arms/loading areas	b ₄ mm	940
	4.28	Reach distance	mm	616
	4.32	Ground clearance centre of wheelbase	m ₂ mm	80
	4.34.1	Aisle width (pallet 1000x1200 sideways)	A _{st} mm	2713
	4.34.2	Aisle width (pallet 800x1200 length)	A _{st} mm	2759
	4.35	Turning radius	W _a mm	1665
4.37	Length over the support arms	L ₇ mm	1837	
Performance data	5.1	Travel speed laden/unladen (Efficiency drivePLUS)	km/h	11 / 11 14 / 14
	5.2	Lift speed laden/unladen (Efficiency liftPLUS)	m/s	0.35 / 0.7 0.59 / 0.81
	5.3	Lowering speed laden/unladen (Efficiency liftPLUS)	m/s	0.56 / 0.56 0.56 / 0.56
	5.4	Reach speed laden/unladen (Efficiency liftPLUS)	m/s	0.18 / 0.18 0.24 / 0.24
	5.7	Gradeability laden/unladen (Efficiency drivePLUS)	%	8 / 12 8 / 12

	5.8	Max. gradeability laden/unladen (Efficiency drivePLUS)	%	10 / 15 10 / 15
	5.9	Acceleration time laden/unladen (Efficiency drivePLUS)	s	5.1 / 4.9 4.7 / 4.3
	5.10	Service brake		electric
E-motor/Electronics	6.1	Drive motor, performance S2 60 min (Efficiency drivePLUS)	kW	6 8.5
	6.2	Lift motor, performance with S3 (Efficiency liftPLUS)	kW	13.3 15.5
	6.4	Battery voltage/nominal capacity	V / Ah	51.2 / 390
	6.6.1	Energy consumption according to EN cycle (Efficiency PLUS)	kWh/h	3.19 3.34
	6.6.2	CO2 equivalent as per EN 16796 (Efficiency PLUS)	kg/h	1.7 1.8
	6.7	Throughput (Efficiency PLUS)	t/h	59.68 71.2
	6.8.1	Energy consumption with max. throughput (Efficiency PLUS)	kWh/h	3.09 4.18
Other	10.1	Operating pressure for attachment	bar	150
	10.2	Oil flow for attachments	l/min	20
	10.7	Sound level as per EN12053, operator's ear	dB (A)	70
- This data sheet according to VDI guideline 2198 only states the technical values of the standard truck. Different tyres, other masts, additional equipment etc. may result in different values.				

- Efficiency: Values of standard package | PLUS: Values of performance package
- VDI no. 1.8: the mast type influences the load distance, centre of drive axle to fork x
 - VDI no. 2.1.1: battery size and mast version affect service weight and axle loads
 - VDI no. 2.3: battery size and mast version affect service weight and axle loads
 - VDI no. 2.4: battery size and mast version affect service weight and axle loads
 - VDI no. 2.5: battery size and mast version affect service weight and axle loads
 - VDI no. 4.1: the mast version determines the tilt values
 - VDI no. 4.19: the mast type and the fork length influence the overall length l1
 - VDI no. 4.20: the mast type influences the length including fork shank l2
 - VDI no. 4.28: the mast type influences the reach distance l4
 - VDI no. 4.34.1: the mast type influences the aisle widths
 - VDI no. 4.34.2: the mast type influences the aisle widths
 - VDI no. 6.6.1: PLUS refers to the drive&liftPLUS performance package
 - VDI no. 6.6.2: PLUS refers to the drive&liftPLUS performance package
 - VDI no. 6.7: PLUS refers to the drive&liftPLUS performance package
 - VDI no. 6.8.1: PLUS refers to the drive&liftPLUS performance package

The German production facilities in
Norderstedt, Moosburg and Landsberg
are certified.

ISO 9001
ISO 14001

Jungheinrich fork lift trucks meet
European safety requirements.



 **JUNGHEINRICH**

The Jungheinrich logo, featuring a red upward-pointing arrow above the word 'JUNGHEINRICH' in a bold, black, sans-serif font.