

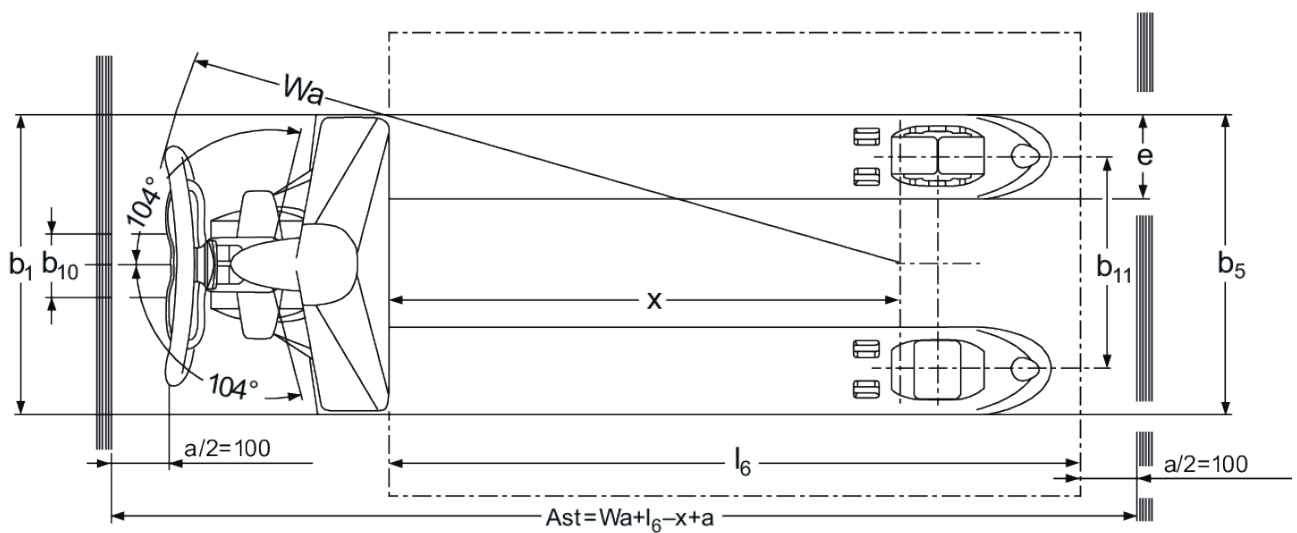
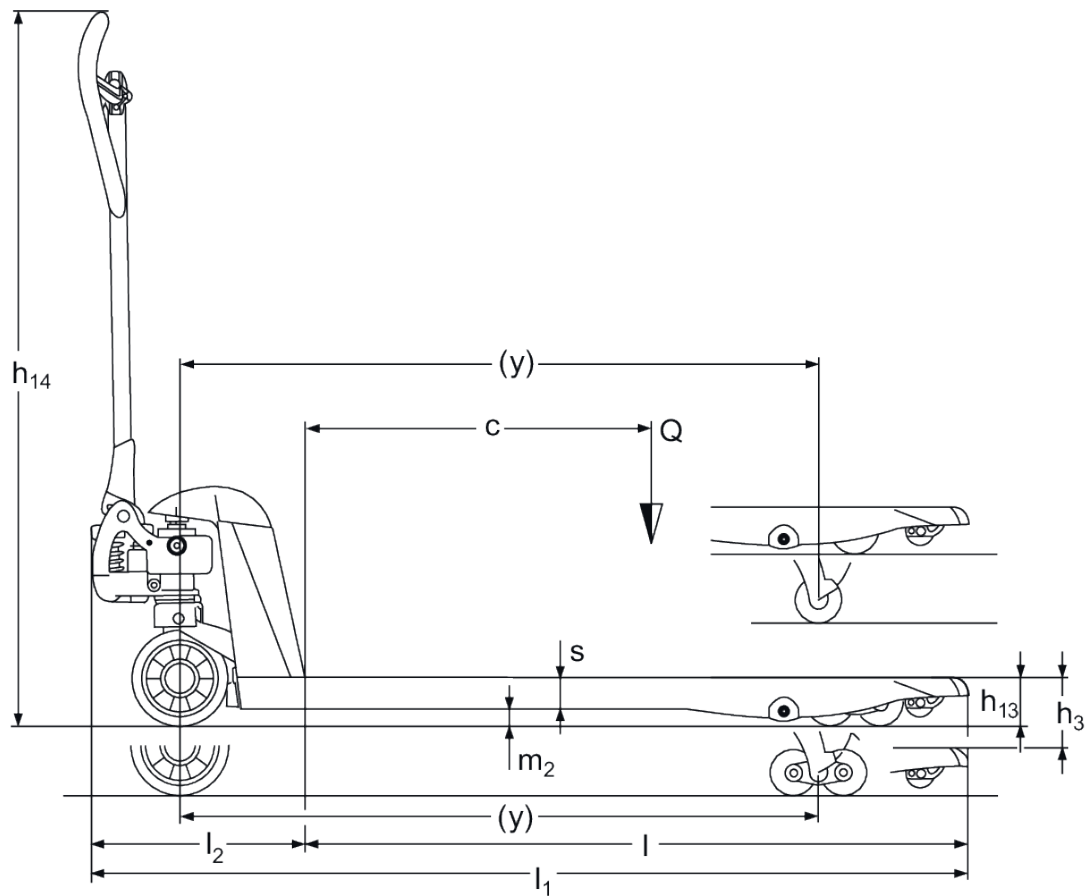


## **Hand pallet truck** **AM 22 SH / 22 NH**

**Lift height: 122 mm / Load capacity: 2200 kg**

**JUNGHEINRICH**

# AM 22 SH / 22 NH



# VDI table

Stand-on: 07/2022

Characteristic	1.1	Manufacturer (abbreviated description)		Jungheinrich	
	1.2	Manufacturer's type designation		<b>AM 22 NH</b>	
	1.3	Drive		Manual	
	1.4	Operation		Manual	
	1.5	Load capacity/load	Q	kg	2200
	1.6	Load centre distance	c	mm	300
	1.9	Wheelbase	y	mm	560
Weights	2.1	Service weight		kg	50
Wheels/suspension system	3.1	Tyres			C-BV
	3.2	Tyre size, front			Ø 170x50
	3.3	Tyre size, rear			Ø 82x96
	3.5	Wheels, number front/back (x=driven)			2/4
	3.6	Tread width, front	b <sub>10</sub>	mm	109
	3.7	Tread width, rear	b <sub>11</sub>	mm	370
Basic dimensions	4.4	Lift (h <sub>3</sub> )	h <sub>3</sub>	mm	122
	4.14	Stand height, elevated	h <sub>12</sub>	mm	205
	4.15	Height, lowered	h <sub>13</sub>	mm	83
	4.19	Overall length	l <sub>1</sub>	mm	973
	4.20	Length including fork shank	l <sub>2</sub>	mm	373
	4.21.1	Overall width	b <sub>1</sub>	mm	520
	4.22	Fork dimensions	s/e/l	mm	53 x 150 x 600
	4.25	Width across forks	b <sub>5</sub>	mm	520
	4.32	Ground clearance centre of wheelbase	m <sub>2</sub>	mm	30
	4.34.1	Aisle width (pallet 1000x1200 sideways)	Ast	mm	1584
	4.34.2	Aisle width (pallet 800x1200 length)	Ast	mm	1784
	4.35	Turning radius	W <sub>a</sub>	mm	724
Performance data	5.3	Lowering speed laden/unladen		m/s	0.09 / 0.02
- This data sheet according to VDI guideline 2198 only states the technical values of the standard truck. Different tyres, other masts, additional equipment etc. may result in different values.					

Characteristic	1.1	Manufacturer (abbreviated description)		Jungheinrich	
	1.2	Manufacturer's type designation		<b>AM 22 NH</b>	
	1.3	Drive		Manual	
	1.4	Operation		Manual	
	1.5	Load capacity/load	Q	kg	2200
	1.6	Load centre distance	c	mm	400
	1.9	Wheelbase	y	mm	755

Weights	2.1	Service weight		kg	52
Wheels/suspension system	3.1	Tyres			C-BV
	3.2	Tyre size, front			Ø 170x50
	3.3	Tyre size, rear			Ø 82x96
	3.5	Wheels, number front/back (x=driven)			2/4
	3.6	Tread width, front	b <sub>10</sub>	mm	109
	3.7	Tread width, rear	b <sub>11</sub>	mm	370
Basic dimensions	4.4	Lift (h <sub>3</sub> )	h <sub>3</sub>	mm	122
	4.14	Stand height, elevated	h <sub>12</sub>	mm	205
	4.15	Height, lowered	h <sub>13</sub>	mm	83
	4.19	Overall length	l <sub>1</sub>	mm	1168
	4.20	Length including fork shank	l <sub>2</sub>	mm	373
	4.21.1	Overall width	b <sub>1</sub>	mm	520
	4.22	Fork dimensions	s/e/l	mm	53 x 150 x 795
	4.25	Width across forks	b <sub>5</sub>	mm	520
	4.32	Ground clearance centre of wheelbase	m <sub>2</sub>	mm	30
	4.34.1	Aisle width (pallet 1000x1200 sideways)	A <sub>st</sub>	mm	1584
	4.34.2	Aisle width (pallet 800x1200 length)	A <sub>st</sub>	mm	1784
	4.35	Turning radius	W <sub>a</sub>	mm	919
	Performance data	5.3	Lowering speed laden/unladen		m/s
- This data sheet according to VDI guideline 2198 only states the technical values of the standard truck. Different tyres, other masts, additional equipment etc. may result in different values.					

Characteristic	1.1	Manufacturer (abbreviated description)			Jungheinrich
	1.2	Manufacturer's type designation			<b>AM 22 NH</b>
	1.3	Drive			Manual
	1.4	Operation			Manual
	1.5	Load capacity/load	Q	kg	2200
	1.6	Load centre distance	c	mm	450
	1.9	Wheelbase	y	mm	862
Weights	2.1	Service weight		kg	53
Wheels/suspension system	3.1	Tyres			C-BV
	3.2	Tyre size, front			Ø 170x50
	3.3	Tyre size, rear			Ø 82x96
	3.5	Wheels, number front/back (x=driven)			2/4
	3.6	Tread width, front	b <sub>10</sub>	mm	109
	3.7	Tread width, rear	b <sub>11</sub>	mm	370

Basic dimensions	4.4	Lift (h <sub>3</sub> )	h <sub>3</sub>	mm	122
	4.14	Stand height, elevated	h <sub>12</sub>	mm	205
	4.15	Height, lowered	h <sub>13</sub>	mm	83
	4.19	Overall length	l <sub>1</sub>	mm	1275
	4.20	Length including fork shank	l <sub>2</sub>	mm	373
	4.21.1	Overall width	b <sub>1</sub>	mm	520
	4.22	Fork dimensions	s/e/l	mm	53 x 150 x 902
	4.25	Width across forks	b <sub>5</sub>	mm	520
	4.32	Ground clearance centre of wheelbase	m <sub>2</sub>	mm	30
	4.34.1	Aisle width (pallet 1000x1200 sideways)	Ast	mm	1584
	4.34.2	Aisle width (pallet 800x1200 length)	Ast	mm	1784
	4.35	Turning radius	W <sub>a</sub>	mm	1026
	Performance data	5.3	Lowering speed laden/unladen		m/s
- This data sheet according to VDI guideline 2198 only states the technical values of the standard truck. Different tyres, other masts, additional equipment etc. may result in different values.					

Characteristic	1.1	Manufacturer (abbreviated description)			Jungheinrich
	1.2	Manufacturer's type designation			<b>AM 22 NH</b>
	1.3	Drive			Manual
	1.4	Operation			Manual
	1.5	Load capacity/load	Q	kg	2200
	1.6	Load centre distance	c	mm	500
	1.9	Wheelbase	y	mm	910
Weights	2.1	Service weight		kg	56
Wheels/suspension system	3.1	Tyres			C-BV
	3.2	Tyre size, front			Ø 170x50
	3.3	Tyre size, rear			Ø 82x96
	3.5	Wheels, number front/back (x=driven)			2/4
	3.6	Tread width, front	b <sub>10</sub>	mm	109
	3.7	Tread width, rear	b <sub>11</sub>	mm	370
Basic dimensions	4.4	Lift (h <sub>3</sub> )	h <sub>3</sub>	mm	122
	4.14	Stand height, elevated	h <sub>12</sub>	mm	205
	4.15	Height, lowered	h <sub>13</sub>	mm	83
	4.19	Overall length	l <sub>1</sub>	mm	1323
	4.20	Length including fork shank	l <sub>2</sub>	mm	373
	4.21.1	Overall width	b <sub>1</sub>	mm	520
	4.22	Fork dimensions	s/e/l	mm	53 x 150 x 950
	4.25	Width across forks	b <sub>5</sub>	mm	520
	4.32	Ground clearance centre of wheelbase	m <sub>2</sub>	mm	30
4.34.1	Aisle width (pallet 1000x1200 sideways)	Ast	mm	1584	

Performance data	4.34.2	Aisle width (pallet 800x1200 length)	Ast	mm	1784
	4.35	Turning radius	W <sub>a</sub>	mm	1074
	5.3	Lowering speed laden/unladen		m/s	0.09 / 0.02
- This data sheet according to VDI guideline 2198 only states the technical values of the standard truck. Different tyres, other masts, additional equipment etc. may result in different values.					

Characteristic	1.1	Manufacturer (abbreviated description)			Jungheinrich
	1.2	Manufacturer's type designation			<b>AM 22 NH</b>
	1.3	Drive			Manual
	1.4	Operation			Manual
	1.5	Load capacity/load	Q	kg	2200
	1.6	Load centre distance	c	mm	550
	1.9	Wheelbase	y	mm	1014
Weights	2.1	Service weight		kg	60
Wheels/suspension system	3.1	Tyres			C-BV
	3.2	Tyre size, front			Ø 170x50
	3.3	Tyre size, rear			Ø 82x96
	3.5	Wheels, number front/back (x=driven)			2/4
	3.6	Tread width, front	b <sub>10</sub>	mm	109
	3.7	Tread width, rear	b <sub>11</sub>	mm	370
Basic dimensions	4.4	Lift (h <sub>3</sub> )	h <sub>3</sub>	mm	122
	4.14	Stand height, elevated	h <sub>12</sub>	mm	205
	4.15	Height, lowered	h <sub>13</sub>	mm	83
	4.19	Overall length	l <sub>1</sub>	mm	1427
	4.20	Length including fork shank	l <sub>2</sub>	mm	373
	4.21.1	Overall width	b <sub>1</sub>	mm	520
	4.22	Fork dimensions	s/e/l	mm	53 x 150 x 1054
	4.25	Width across forks	b <sub>5</sub>	mm	520
	4.32	Ground clearance centre of wheelbase	m <sub>2</sub>	mm	30
	4.34.1	Aisle width (pallet 1000x1200 sideways)	Ast	mm	1627
	4.34.2	Aisle width (pallet 800x1200 length)	Ast	mm	1784
4.35	Turning radius	W <sub>a</sub>	mm	1178	
Performance data	5.3	Lowering speed laden/unladen		m/s	0.09 / 0.02

- This data sheet according to VDI guideline 2198 only states the technical values of the standard truck. Different tyres, other masts, additional equipment etc. may result in different values.

Characteristic	1.1	Manufacturer (abbreviated description)		Jungheinrich	
	1.2	Manufacturer's type designation		<b>AM 22 NH</b>	
	1.3	Drive		Manual	
	1.4	Operation		Manual	
	1.5	Load capacity/load	Q	kg	2200
	1.6	Load centre distance	c	mm	600
	1.9	Wheelbase	y	mm	1110
Weights	2.1	Service weight		kg	60
Wheels/suspension system	3.1	Tyres			C-BV
	3.2	Tyre size, front			Ø 170x50
	3.3	Tyre size, rear			Ø 82x96
	3.5	Wheels, number front/back (x=driven)			2/4
	3.6	Tread width, front	b <sub>10</sub>	mm	109
	3.7	Tread width, rear	b <sub>11</sub>	mm	370
	Basic dimensions	4.4	Lift (h <sub>3</sub> )	h <sub>3</sub>	mm
4.14		Stand height, elevated	h <sub>12</sub>	mm	205
4.15		Height, lowered	h <sub>13</sub>	mm	83
4.19		Overall length	l <sub>1</sub>	mm	1523
4.20		Length including fork shank	l <sub>2</sub>	mm	373
4.21.1		Overall width	b <sub>1</sub>	mm	520
4.22		Fork dimensions	s/e/l	mm	53 x 150 x 1150
4.25		Width across forks	b <sub>5</sub>	mm	520
4.32		Ground clearance centre of wheelbase	m <sub>2</sub>	mm	30
4.34.1		Aisle width (pallet 1000x1200 sideways)	A <sub>st</sub>	mm	1734
4.34.2		Aisle width (pallet 800x1200 length)	A <sub>st</sub>	mm	1784
4.35		Turning radius	W <sub>a</sub>	mm	1274
Performance data		5.3	Lowering speed laden/unladen		m/s

- This data sheet according to VDI guideline 2198 only states the technical values of the standard truck. Different tyres, other masts, additional equipment etc. may result in different values.

Characteristic	1.1	Manufacturer (abbreviated description)		Jungheinrich	
	1.2	Manufacturer's type designation		<b>AM 22 NH</b>	
	1.3	Drive		Manual	
	1.4	Operation		Manual	
	1.5	Load capacity/load	Q	kg	2200
	1.6	Load centre distance	c	mm	600

	1.9	Wheelbase	y	mm	1110
Weights	2.1	Service weight		kg	61
Wheels/suspension system	3.1	Tyres			C-BV
	3.2	Tyre size, front			Ø 170x50
	3.3	Tyre size, rear			Ø 82x96
	3.5	Wheels, number front/back (x=driven)			2/4
	3.6	Tread width, front	b <sub>10</sub>	mm	109
	3.7	Tread width, rear	b <sub>11</sub>	mm	370
Basic dimensions	4.4	Lift (h <sub>3</sub> )	h <sub>3</sub>	mm	122
	4.14	Stand height, elevated	h <sub>12</sub>	mm	205
	4.15	Height, lowered	h <sub>13</sub>	mm	83
	4.19	Overall length	l <sub>1</sub>	mm	1523
	4.20	Length including fork shank	l <sub>2</sub>	mm	373
	4.21.1	Overall width	b <sub>1</sub>	mm	520
	4.22	Fork dimensions	s/e/l	mm	53 x 150 x 1207
	4.25	Width across forks	b <sub>5</sub>	mm	520
	4.32	Ground clearance centre of wheelbase	m <sub>2</sub>	mm	30
	4.34.1	Aisle width (pallet 1000x1200 sideways)	A <sub>st</sub>	mm	1734
	4.34.2	Aisle width (pallet 800x1200 length)	A <sub>st</sub>	mm	1784
4.35	Turning radius	W <sub>s</sub>	mm	1274	
Performance data	5.3	Lowering speed laden/unladen		m/s	0.09 / 0.02
- This data sheet according to VDI guideline 2198 only states the technical values of the standard truck. Different tyres, other masts, additional equipment etc. may result in different values.					

Characteristic	1.1	Manufacturer (abbreviated description)			Jungheinrich
	1.2	Manufacturer's type designation			<b>AM 22 NH</b>
	1.3	Drive			Manual
	1.4	Operation			Manual
	1.5	Load capacity/load	Q	kg	2200
	1.6	Load centre distance	c	mm	700
	1.9	Wheelbase	y	mm	1320
Weights	2.1	Service weight		kg	70



Wheels/suspension system	3.1	Tyres			C-BV
	3.2	Tyre size, front			Ø 170x50
	3.3	Tyre size, rear			Ø 82x96
	3.5	Wheels, number front/back (x=driven)			2/4
	3.6	Tread width, front	b <sub>10</sub>	mm	109
	3.7	Tread width, rear	b <sub>11</sub>	mm	370
	Basic dimensions	4.4	Lift (h <sub>3</sub> )	h <sub>3</sub>	mm
4.14		Stand height, elevated	h <sub>12</sub>	mm	205
4.15		Height, lowered	h <sub>13</sub>	mm	83
4.19		Overall length	l <sub>1</sub>	mm	1733
4.20		Length including fork shank	l <sub>2</sub>	mm	373
4.21.1		Overall width	b <sub>1</sub>	mm	520
4.22		Fork dimensions	s/e/l	mm	53 x 150 x 1360
4.25		Width across forks	b <sub>5</sub>	mm	520
4.32		Ground clearance centre of wheelbase	m <sub>2</sub>	mm	30
4.34.1		Aisle width (pallet 1000x1200 sideways)	A <sub>st</sub>	mm	1933
4.34.2		Aisle width (pallet 800x1200 length)	A <sub>st</sub>	mm	1933
4.35		Turning radius	W <sub>s</sub>	mm	1484
Performance data		5.3	Lowering speed laden/unladen		m/s
- This data sheet according to VDI guideline 2198 only states the technical values of the standard truck. Different tyres, other masts, additional equipment etc. may result in different values.					

Characteristic	1.1	Manufacturer (abbreviated description)			Jungheinrich
	1.2	Manufacturer's type designation			<b>AM 22 NH</b>
	1.3	Drive			Manual
	1.4	Operation			Manual
	1.5	Load capacity/load	Q	kg	1700
	1.6	Load centre distance	c	mm	800
	1.9	Wheelbase	y	mm	1560
Weights	2.1	Service weight		kg	82
Wheels/suspension system	3.1	Tyres			C-BV
	3.2	Tyre size, front			Ø 170x50
	3.3	Tyre size, rear			Ø 82x96
	3.5	Wheels, number front/back (x=driven)			2/4
	3.6	Tread width, front	b <sub>10</sub>	mm	109
	3.7	Tread width, rear	b <sub>11</sub>	mm	370
	Basic dimensions	4.4	Lift (h <sub>3</sub> )	h <sub>3</sub>	mm
4.14		Stand height, elevated	h <sub>12</sub>	mm	205
4.15		Height, lowered	h <sub>13</sub>	mm	83
4.19		Overall length	l <sub>1</sub>	mm	1973

	4.20	Length including fork shank	$l_2$	mm	373
	4.21.1	Overall width	$b_1$	mm	520
	4.22	Fork dimensions	s/e/l	mm	53 x 150 x 1600
	4.25	Width across forks	$b_5$	mm	520
	4.32	Ground clearance centre of wheelbase	$m_2$	mm	30
	4.34.1	Aisle width (pallet 1000x1200 sideways)	$A_{st}$	mm	2173
	4.34.2	Aisle width (pallet 800x1200 length)	$A_{st}$	mm	2173
	4.35	Turning radius	$W_a$	mm	1724
Performance data	5.3	Lowering speed laden/unladen		m/s	0.09 / 0.02
- This data sheet according to VDI guideline 2198 only states the technical values of the standard truck. Different tyres, other masts, additional equipment etc. may result in different values.					

Characteristic	1.1	Manufacturer (abbreviated description)			Jungheinrich
	1.2	Manufacturer's type designation			<b>AM 22 NH</b>
	1.3	Drive			Manual
	1.4	Operation			Manual
	1.5	Load capacity/load	Q	kg	1200
	1.6	Load centre distance	c	mm	900
	1.9	Wheelbase	y	mm	1860
Weights	2.1	Service weight		kg	82
Wheels/suspension system	3.1	Tyres			C-BV
	3.2	Tyre size, front			Ø 170x50
	3.3	Tyre size, rear			Ø 82x96
	3.5	Wheels, number front/back (x=driven)			2/4
	3.6	Tread width, front	$b_{10}$	mm	109
	3.7	Tread width, rear	$b_{11}$	mm	370
Basic dimensions	4.4	Lift (h3)	$h_3$	mm	122
	4.14	Stand height, elevated	$h_{12}$	mm	205
	4.15	Height, lowered	$h_{13}$	mm	83
	4.19	Overall length	$l_1$	mm	2273
	4.20	Length including fork shank	$l_2$	mm	373
	4.21.1	Overall width	$b_1$	mm	520
	4.22	Fork dimensions	s/e/l	mm	53 x 150 x 1900
	4.25	Width across forks	$b_5$	mm	520
	4.32	Ground clearance centre of wheelbase	$m_2$	mm	30
	4.34.1	Aisle width (pallet 1000x1200 sideways)	$A_{st}$	mm	2473
	4.34.2	Aisle width (pallet 800x1200 length)	$A_{st}$	mm	2473
	4.35	Turning radius	$W_a$	mm	2024

Performance data	5.3	Lowering speed laden/unladen	m/s	0.09 / 0.02
	- This data sheet according to VDI guideline 2198 only states the technical values of the standard truck. Different tyres, other masts, additional equipment etc. may result in different values.			

Characteristic	1.1	Manufacturer (abbreviated description)		Jungheinrich	
	1.2	Manufacturer's type designation		<b>AM 22 NH</b>	
	1.3	Drive		Manual	
	1.4	Operation		Manual	
	1.5	Load capacity/load	Q	kg	500
	1.6	Load centre distance	c	mm	1200
	1.9	Wheelbase	y	mm	2360
Weights	2.1	Service weight		kg	90
Wheels/suspension system	3.1	Tyres			C-BV
	3.2	Tyre size, front			Ø 170x50
	3.3	Tyre size, rear			Ø 82x96
	3.5	Wheels, number front/back (x=driven)			2/4
	3.6	Tread width, front	b <sub>10</sub>	mm	109
	3.7	Tread width, rear	b <sub>11</sub>	mm	370
Basic dimensions	4.4	Lift (h <sub>3</sub> )	h <sub>3</sub>	mm	122
	4.14	Stand height, elevated	h <sub>12</sub>	mm	205
	4.15	Height, lowered	h <sub>13</sub>	mm	83
	4.19	Overall length	l <sub>1</sub>	mm	2773
	4.20	Length including fork shank	l <sub>2</sub>	mm	373
	4.21.1	Overall width	b <sub>1</sub>	mm	520
	4.22	Fork dimensions	s/e/l	mm	53 x 150 x 2400
	4.25	Width across forks	b <sub>5</sub>	mm	520
	4.32	Ground clearance centre of wheelbase	m <sub>2</sub>	mm	30
	4.34.1	Aisle width (pallet 1000x1200 sideways)	Ast	mm	2973
	4.34.2	Aisle width (pallet 800x1200 length)	Ast	mm	2973
4.35	Turning radius	W <sub>a</sub>	mm	2524	
Performance data	5.3	Lowering speed laden/unladen		m/s	0.09 / 0.02
- This data sheet according to VDI guideline 2198 only states the technical values of the standard truck. Different tyres, other masts, additional equipment etc. may result in different values.					

Characteristic	1.1	Manufacturer (abbreviated description)		Jungheinrich	
	1.2	Manufacturer's type designation		<b>AM 22 NH</b>	
	1.3	Drive		Manual	
	1.4	Operation		Manual	
	1.5	Load capacity/load	Q	kg	2200
	1.6	Load centre distance	c	mm	300
	1.9	Wheelbase	y	mm	560
Weights	2.1	Service weight		kg	55
Wheels/suspension system	3.1	Tyres			C-BV
	3.2	Tyre size, front			Ø 170x50
	3.3	Tyre size, rear			Ø 82x96
	3.5	Wheels, number front/back (x=driven)			2/4
	3.6	Tread width, front	b <sub>10</sub>	mm	109
	3.7	Tread width, rear	b <sub>11</sub>	mm	370
Basic dimensions	4.4	Lift (h <sub>3</sub> )	h <sub>3</sub>	mm	122
	4.14	Stand height, elevated	h <sub>12</sub>	mm	205
	4.15	Height, lowered	h <sub>13</sub>	mm	83
	4.19	Overall length	l <sub>1</sub>	mm	973
	4.20	Length including fork shank	l <sub>2</sub>	mm	373
	4.21.1	Overall width	b <sub>1</sub>	mm	680
	4.22	Fork dimensions	s/e/l	mm	53 x 150 x 600
	4.25	Width across forks	b <sub>5</sub>	mm	680
	4.32	Ground clearance centre of wheelbase	m <sub>2</sub>	mm	30
	4.34.1	Aisle width (pallet 1000x1200 sideways)	A <sub>st</sub>	mm	1584
	4.34.2	Aisle width (pallet 800x1200 length)	A <sub>st</sub>	mm	1784
	4.35	Turning radius	W <sub>a</sub>	mm	724
Performance data	5.3	Lowering speed laden/unladen		m/s	0.09 / 0.02
- This data sheet according to VDI guideline 2198 only states the technical values of the standard truck. Different tyres, other masts, additional equipment etc. may result in different values.					

Characteristic	1.1	Manufacturer (abbreviated description)		Jungheinrich	
	1.2	Manufacturer's type designation		<b>AM 22 NH</b>	
	1.3	Drive		Manual	
	1.4	Operation		Manual	
	1.5	Load capacity/load	Q	kg	2200
	1.6	Load centre distance	c	mm	400
	1.9	Wheelbase	y	mm	755

Weights	2.1	Service weight		kg	57
Wheels/suspension system	3.1	Tyres			C-BV
	3.2	Tyre size, front			Ø 170x50
	3.3	Tyre size, rear			Ø 82x96
	3.5	Wheels, number front/back (x=driven)			2/4
	3.6	Tread width, front	b <sub>10</sub>	mm	109
	3.7	Tread width, rear	b <sub>11</sub>	mm	370
Basic dimensions	4.4	Lift (h <sub>3</sub> )	h <sub>3</sub>	mm	122
	4.14	Stand height, elevated	h <sub>12</sub>	mm	205
	4.15	Height, lowered	h <sub>13</sub>	mm	83
	4.19	Overall length	l <sub>1</sub>	mm	1323
	4.20	Length including fork shank	l <sub>2</sub>	mm	373
	4.21.1	Overall width	b <sub>1</sub>	mm	680
	4.22	Fork dimensions	s/e/l	mm	53 x 150 x 795
	4.25	Width across forks	b <sub>5</sub>	mm	680
	4.32	Ground clearance centre of wheelbase	m <sub>2</sub>	mm	30
	4.34.1	Aisle width (pallet 1000x1200 sideways)	A <sub>st</sub>	mm	1584
	4.34.2	Aisle width (pallet 800x1200 length)	A <sub>st</sub>	mm	1784
	4.35	Turning radius	W <sub>a</sub>	mm	919
	Performance data	5.3	Lowering speed laden/unladen		m/s
- This data sheet according to VDI guideline 2198 only states the technical values of the standard truck. Different tyres, other masts, additional equipment etc. may result in different values.					

Characteristic	1.1	Manufacturer (abbreviated description)			Jungheinrich
	1.2	Manufacturer's type designation			<b>AM 22 NH</b>
	1.3	Drive			Manual
	1.4	Operation			Manual
	1.5	Load capacity/load	Q	kg	2200
	1.6	Load centre distance	c	mm	450
	1.9	Wheelbase	y	mm	862
Weights	2.1	Service weight		kg	58
Wheels/suspension system	3.1	Tyres			C-BV
	3.2	Tyre size, front			Ø 170x50
	3.3	Tyre size, rear			Ø 82x96
	3.5	Wheels, number front/back (x=driven)			2/4
	3.6	Tread width, front	b <sub>10</sub>	mm	109
	3.7	Tread width, rear	b <sub>11</sub>	mm	370

Basic dimensions	4.4	Lift (h <sub>3</sub> )	h <sub>3</sub>	mm	122
	4.14	Stand height, elevated	h <sub>12</sub>	mm	205
	4.15	Height, lowered	h <sub>13</sub>	mm	83
	4.19	Overall length	l <sub>1</sub>	mm	1275
	4.20	Length including fork shank	l <sub>2</sub>	mm	373
	4.21.1	Overall width	b <sub>1</sub>	mm	680
	4.22	Fork dimensions	s/e/l	mm	53 x 150 x 902
	4.25	Width across forks	b <sub>5</sub>	mm	680
	4.32	Ground clearance centre of wheelbase	m <sub>2</sub>	mm	30
	4.34.1	Aisle width (pallet 1000x1200 sideways)	Ast	mm	1584
	4.34.2	Aisle width (pallet 800x1200 length)	Ast	mm	1784
	4.35	Turning radius	W <sub>a</sub>	mm	1026
	Performance data	5.3	Lowering speed laden/unladen		m/s
- This data sheet according to VDI guideline 2198 only states the technical values of the standard truck. Different tyres, other masts, additional equipment etc. may result in different values.					

Characteristic	1.1	Manufacturer (abbreviated description)			Jungheinrich
	1.2	Manufacturer's type designation			<b>AM 22 NH</b>
	1.3	Drive			Manual
	1.4	Operation			Manual
	1.5	Load capacity/load	Q	kg	2200
	1.6	Load centre distance	c	mm	500
	1.9	Wheelbase	y	mm	910
Weights	2.1	Service weight		kg	59
Wheels/suspension system	3.1	Tyres			C-BV
	3.2	Tyre size, front			Ø 170x50
	3.3	Tyre size, rear			Ø 82x96
	3.5	Wheels, number front/back (x=driven)			2/4
	3.6	Tread width, front	b <sub>10</sub>	mm	109
	3.7	Tread width, rear	b <sub>11</sub>	mm	370
Basic dimensions	4.4	Lift (h <sub>3</sub> )	h <sub>3</sub>	mm	122
	4.14	Stand height, elevated	h <sub>12</sub>	mm	205
	4.15	Height, lowered	h <sub>13</sub>	mm	83
	4.19	Overall length	l <sub>1</sub>	mm	1323
	4.20	Length including fork shank	l <sub>2</sub>	mm	373
	4.21.1	Overall width	b <sub>1</sub>	mm	680
	4.22	Fork dimensions	s/e/l	mm	53 x 150 x 950
	4.25	Width across forks	b <sub>5</sub>	mm	680
	4.32	Ground clearance centre of wheelbase	m <sub>2</sub>	mm	30
4.34.1	Aisle width (pallet 1000x1200 sideways)	Ast	mm	1584	

Performance data	4.34.2	Aisle width (pallet 800x1200 length)	Ast	mm	1784
	4.35	Turning radius	W <sub>a</sub>	mm	1074
	5.3	Lowering speed laden/unladen		m/s	0.09 / 0.02
- This data sheet according to VDI guideline 2198 only states the technical values of the standard truck. Different tyres, other masts, additional equipment etc. may result in different values.					

Characteristic	1.1	Manufacturer (abbreviated description)			Jungheinrich
	1.2	Manufacturer's type designation			<b>AM 22 NH</b>
	1.3	Drive			Manual
	1.4	Operation			Manual
	1.5	Load capacity/load	Q	kg	2200
	1.6	Load centre distance	c	mm	550
	1.9	Wheelbase	y	mm	1014
Weights	2.1	Service weight		kg	62
Wheels/suspension system	3.1	Tyres			C-BV
	3.2	Tyre size, front			Ø 170x50
	3.3	Tyre size, rear			Ø 82x96
	3.5	Wheels, number front/back (x=driven)			2/4
	3.6	Tread width, front	b <sub>10</sub>	mm	109
	3.7	Tread width, rear	b <sub>11</sub>	mm	370
Basic dimensions	4.4	Lift (h <sub>3</sub> )	h <sub>3</sub>	mm	122
	4.14	Stand height, elevated	h <sub>12</sub>	mm	205
	4.15	Height, lowered	h <sub>13</sub>	mm	83
	4.19	Overall length	l <sub>1</sub>	mm	1275
	4.20	Length including fork shank	l <sub>2</sub>	mm	373
	4.21.1	Overall width	b <sub>1</sub>	mm	680
	4.22	Fork dimensions	s/e/l	mm	53 x 150 x 1054
	4.25	Width across forks	b <sub>5</sub>	mm	680
	4.32	Ground clearance centre of wheelbase	m <sub>2</sub>	mm	30
	4.34.1	Aisle width (pallet 1000x1200 sideways)	Ast	mm	1627
	4.34.2	Aisle width (pallet 800x1200 length)	Ast	mm	1784
4.35	Turning radius	W <sub>a</sub>	mm	1178	
Performance data	5.3	Lowering speed laden/unladen		m/s	0.09 / 0.02

- This data sheet according to VDI guideline 2198 only states the technical values of the standard truck. Different tyres, other masts, additional equipment etc. may result in different values.

Characteristic	1.1	Manufacturer (abbreviated description)		Jungheinrich	
	1.2	Manufacturer's type designation		<b>AM 22 NH</b>	
	1.3	Drive		Manual	
	1.4	Operation		Manual	
	1.5	Load capacity/load	Q	kg	2200
	1.6	Load centre distance	c	mm	600
	1.9	Wheelbase	y	mm	1110
Weights	2.1	Service weight		kg	63
Wheels/suspension system	3.1	Tyres			C-BV
	3.2	Tyre size, front			Ø 170x50
	3.3	Tyre size, rear			Ø 82x96
	3.5	Wheels, number front/back (x=driven)			2/4
	3.6	Tread width, front	b <sub>10</sub>	mm	109
	3.7	Tread width, rear	b <sub>11</sub>	mm	370
	Basic dimensions	4.4	Lift (h <sub>3</sub> )	h <sub>3</sub>	mm
4.14		Stand height, elevated	h <sub>12</sub>	mm	205
4.15		Height, lowered	h <sub>13</sub>	mm	83
4.19		Overall length	l <sub>1</sub>	mm	1523
4.20		Length including fork shank	l <sub>2</sub>	mm	373
4.21.1		Overall width	b <sub>1</sub>	mm	680
4.22		Fork dimensions	s/e/l	mm	53 x 150 x 1150
4.25		Width across forks	b <sub>5</sub>	mm	680
4.32		Ground clearance centre of wheelbase	m <sub>2</sub>	mm	30
4.34.1		Aisle width (pallet 1000x1200 sideways)	A <sub>st</sub>	mm	1734
4.34.2		Aisle width (pallet 800x1200 length)	A <sub>st</sub>	mm	1784
4.35		Turning radius	W <sub>a</sub>	mm	1274
Performance data		5.3	Lowering speed laden/unladen		m/s

- This data sheet according to VDI guideline 2198 only states the technical values of the standard truck. Different tyres, other masts, additional equipment etc. may result in different values.

Characteristic	1.1	Manufacturer (abbreviated description)		Jungheinrich	
	1.2	Manufacturer's type designation		<b>AM 22 NH</b>	
	1.3	Drive		Manual	
	1.4	Operation		Manual	
	1.5	Load capacity/load	Q	kg	2200
	1.6	Load centre distance	c	mm	600



	1.9	Wheelbase	y	mm	1110
Weights	2.1	Service weight		kg	64
Wheels/suspension system	3.1	Tyres			C-BV
	3.2	Tyre size, front			Ø 170x50
	3.3	Tyre size, rear			Ø 82x96
	3.5	Wheels, number front/back (x=driven)			2/4
	3.6	Tread width, front	b <sub>10</sub>	mm	109
	3.7	Tread width, rear	b <sub>11</sub>	mm	370
Basic dimensions	4.4	Lift (h <sub>3</sub> )	h <sub>3</sub>	mm	122
	4.14	Stand height, elevated	h <sub>12</sub>	mm	205
	4.15	Height, lowered	h <sub>13</sub>	mm	83
	4.19	Overall length	l <sub>1</sub>	mm	1523
	4.20	Length including fork shank	l <sub>2</sub>	mm	373
	4.21.1	Overall width	b <sub>1</sub>	mm	680
	4.22	Fork dimensions	s/e/l	mm	53 x 150 x 1207
	4.25	Width across forks	b <sub>5</sub>	mm	680
	4.32	Ground clearance centre of wheelbase	m <sub>2</sub>	mm	30
	4.34.1	Aisle width (pallet 1000x1200 sideways)	A <sub>st</sub>	mm	1734
	4.34.2	Aisle width (pallet 800x1200 length)	A <sub>st</sub>	mm	1784
4.35	Turning radius	W <sub>s</sub>	mm	1274	
Performance data	5.3	Lowering speed laden/unladen		m/s	0.09 / 0.02

- This data sheet according to VDI guideline 2198 only states the technical values of the standard truck. Different tyres, other masts, additional equipment etc. may result in different values.

Characteristic	1.1	Manufacturer (abbreviated description)			Jungheinrich
	1.2	Manufacturer's type designation			<b>AM 22 NH</b>
	1.3	Drive			Manual
	1.4	Operation			Manual
	1.5	Load capacity/load	Q	kg	2200
	1.6	Load centre distance	c	mm	700
	1.9	Wheelbase	y	mm	1320
Weights	2.1	Service weight		kg	73

Wheels/suspension system	3.1	Tyres			C-BV
	3.2	Tyre size, front			Ø 170x50
	3.3	Tyre size, rear			Ø 82x96
	3.5	Wheels, number front/back (x=driven)			2/4
	3.6	Tread width, front	b <sub>10</sub>	mm	109
	3.7	Tread width, rear	b <sub>11</sub>	mm	370
	Basic dimensions	4.4	Lift (h <sub>3</sub> )	h <sub>3</sub>	mm
4.14		Stand height, elevated	h <sub>12</sub>	mm	205
4.15		Height, lowered	h <sub>13</sub>	mm	83
4.19		Overall length	l <sub>1</sub>	mm	1733
4.20		Length including fork shank	l <sub>2</sub>	mm	373
4.21.1		Overall width	b <sub>1</sub>	mm	680
4.22		Fork dimensions	s/e/l	mm	53 x 150 x 1360
4.25		Width across forks	b <sub>5</sub>	mm	680
4.32		Ground clearance centre of wheelbase	m <sub>2</sub>	mm	30
4.34.1		Aisle width (pallet 1000x1200 sideways)	A <sub>st</sub>	mm	1933
4.34.2		Aisle width (pallet 800x1200 length)	A <sub>st</sub>	mm	1933
4.35		Turning radius	W <sub>s</sub>	mm	1484
Performance data		5.3	Lowering speed laden/unladen		m/s
- This data sheet according to VDI guideline 2198 only states the technical values of the standard truck. Different tyres, other masts, additional equipment etc. may result in different values.					

Characteristic	1.1	Manufacturer (abbreviated description)			Jungheinrich
	1.2	Manufacturer's type designation			<b>AM 22 NH</b>
	1.3	Drive			Manual
	1.4	Operation			Manual
	1.5	Load capacity/load	Q	kg	1700
	1.6	Load centre distance	c	mm	800
	1.9	Wheelbase	y	mm	1560
Weights	2.1	Service weight		kg	85
Wheels/suspension system	3.1	Tyres			C-BV
	3.2	Tyre size, front			Ø 170x50
	3.3	Tyre size, rear			Ø 82x96
	3.5	Wheels, number front/back (x=driven)			2/4
	3.6	Tread width, front	b <sub>10</sub>	mm	109
	3.7	Tread width, rear	b <sub>11</sub>	mm	370
	Basic dimensions	4.4	Lift (h <sub>3</sub> )	h <sub>3</sub>	mm
4.14		Stand height, elevated	h <sub>12</sub>	mm	205
4.15		Height, lowered	h <sub>13</sub>	mm	83
4.19		Overall length	l <sub>1</sub>	mm	1973

	4.20	Length including fork shank	$l_2$	mm	373
	4.21.1	Overall width	$b_1$	mm	680
	4.22	Fork dimensions	s/e/l	mm	53 x 150 x 1600
	4.25	Width across forks	$b_5$	mm	680
	4.32	Ground clearance centre of wheelbase	$m_2$	mm	30
	4.34.1	Aisle width (pallet 1000x1200 sideways)	$A_{st}$	mm	2173
	4.34.2	Aisle width (pallet 800x1200 length)	$A_{st}$	mm	2173
	4.35	Turning radius	$W_a$	mm	1724
Performance data	5.3	Lowering speed laden/unladen		m/s	0.09 / 0.02
- This data sheet according to VDI guideline 2198 only states the technical values of the standard truck. Different tyres, other masts, additional equipment etc. may result in different values.					

Characteristic	1.1	Manufacturer (abbreviated description)			Jungheinrich
	1.2	Manufacturer's type designation			<b>AM 22 NH</b>
	1.3	Drive			Manual
	1.4	Operation			Manual
	1.5	Load capacity/load	Q	kg	1200
	1.6	Load centre distance	c	mm	900
	1.9	Wheelbase	y	mm	1860
Weights	2.1	Service weight		kg	85
Wheels/suspension system	3.1	Tyres			C-BV
	3.2	Tyre size, front			Ø 170x50
	3.3	Tyre size, rear			Ø 82x96
	3.5	Wheels, number front/back (x=driven)			2/4
	3.6	Tread width, front	$b_{10}$	mm	109
	3.7	Tread width, rear	$b_{11}$	mm	370
Basic dimensions	4.4	Lift (h3)	$h_3$	mm	122
	4.14	Stand height, elevated	$h_{12}$	mm	205
	4.15	Height, lowered	$h_{13}$	mm	83
	4.19	Overall length	$l_1$	mm	2773
	4.20	Length including fork shank	$l_2$	mm	373
	4.21.1	Overall width	$b_1$	mm	680
	4.22	Fork dimensions	s/e/l	mm	53 x 150 x 1900
	4.25	Width across forks	$b_5$	mm	680
	4.32	Ground clearance centre of wheelbase	$m_2$	mm	30
	4.34.1	Aisle width (pallet 1000x1200 sideways)	$A_{st}$	mm	2473
	4.34.2	Aisle width (pallet 800x1200 length)	$A_{st}$	mm	2473
	4.35	Turning radius	$W_a$	mm	2024

Performance data	5.3	Lowering speed laden/unladen	m/s	0.09 / 0.02
------------------	-----	------------------------------	-----	-------------

- This data sheet according to VDI guideline 2198 only states the technical values of the standard truck. Different tyres, other masts, additional equipment etc. may result in different values.

Characteristic	1.1	Manufacturer (abbreviated description)		Jungheinrich	
	1.2	Manufacturer's type designation		<b>AM 22 SH</b>	
	1.3	Drive		Manual	
	1.4	Operation		Manual	
	1.5	Load capacity/load	Q	kg	2200
	1.6	Load centre distance	c	mm	300
	1.9	Wheelbase	y	mm	560
Weights	2.1	Service weight		kg	50
Wheels/suspension system	3.1	Tyres			C-BV
	3.2	Tyre size, front			Ø 170x50
	3.3	Tyre size, rear			Ø 82x96
	3.5	Wheels, number front/back (x=driven)			2/4
	3.6	Tread width, front	b <sub>10</sub>	mm	109
	3.7	Tread width, rear	b <sub>11</sub>	mm	370
Basic dimensions	4.4	Lift (h <sub>3</sub> )	h <sub>3</sub>	mm	122
	4.14	Stand height, elevated	h <sub>12</sub>	mm	205
	4.15	Height, lowered	h <sub>13</sub>	mm	83
	4.19	Overall length	l <sub>1</sub>	mm	973
	4.20	Length including fork shank	l <sub>2</sub>	mm	373
	4.21.1	Overall width	b <sub>1</sub>	mm	520
	4.22	Fork dimensions	s/e/l	mm	53 x 150 x 600
	4.25	Width across forks	b <sub>5</sub>	mm	520
	4.32	Ground clearance centre of wheelbase	m <sub>2</sub>	mm	30
	4.34.1	Aisle width (pallet 1000x1200 sideways)	A <sub>st</sub>	mm	1584
	4.34.2	Aisle width (pallet 800x1200 length)	A <sub>st</sub>	mm	1784
4.35	Turning radius	W <sub>a</sub>	mm	724	
Performance data	5.3	Lowering speed laden/unladen		m/s	0.09 / 0.02

- This data sheet according to VDI guideline 2198 only states the technical values of the standard truck. Different tyres, other masts, additional equipment etc. may result in different values.

Characteristic	1.1	Manufacturer (abbreviated description)		Jungheinrich	
	1.2	Manufacturer's type designation		<b>AM 22 SH</b>	
	1.3	Drive		Manual	
	1.4	Operation		Manual	
	1.5	Load capacity/load	Q	kg	2200
	1.6	Load centre distance	c	mm	400
	1.9	Wheelbase	y	mm	755
Weights	2.1	Service weight		kg	52
Wheels/suspension system	3.1	Tyres			C-BV
	3.2	Tyre size, front			Ø 170x50
	3.3	Tyre size, rear			Ø 82x96
	3.5	Wheels, number front/back (x=driven)			2/4
	3.6	Tread width, front	b <sub>10</sub>	mm	109
	3.7	Tread width, rear	b <sub>11</sub>	mm	370
Basic dimensions	4.4	Lift (h <sub>3</sub> )	h <sub>3</sub>	mm	122
	4.14	Stand height, elevated	h <sub>12</sub>	mm	205
	4.15	Height, lowered	h <sub>13</sub>	mm	83
	4.19	Overall length	l <sub>1</sub>	mm	1168
	4.20	Length including fork shank	l <sub>2</sub>	mm	373
	4.21.1	Overall width	b <sub>1</sub>	mm	520
	4.22	Fork dimensions	s/e/l	mm	53 x 150 x 795
	4.25	Width across forks	b <sub>5</sub>	mm	520
	4.32	Ground clearance centre of wheelbase	m <sub>2</sub>	mm	30
	4.34.1	Aisle width (pallet 1000x1200 sideways)	A <sub>st</sub>	mm	1584
	4.34.2	Aisle width (pallet 800x1200 length)	A <sub>st</sub>	mm	1784
	4.35	Turning radius	W <sub>a</sub>	mm	919
Performance data	5.3	Lowering speed laden/unladen		m/s	0.09 / 0.02
- This data sheet according to VDI guideline 2198 only states the technical values of the standard truck. Different tyres, other masts, additional equipment etc. may result in different values.					

Characteristic	1.1	Manufacturer (abbreviated description)		Jungheinrich	
	1.2	Manufacturer's type designation		<b>AM 22 SH</b>	
	1.3	Drive		Manual	
	1.4	Operation		Manual	
	1.5	Load capacity/load	Q	kg	2200
	1.6	Load centre distance	c	mm	450
	1.9	Wheelbase	y	mm	862

Weights	2.1	Service weight		kg	53
Wheels/suspension system	3.1	Tyres			C-BV
	3.2	Tyre size, front			Ø 170x50
	3.3	Tyre size, rear			Ø 82x96
	3.5	Wheels, number front/back (x=driven)			2/4
	3.6	Tread width, front	b <sub>10</sub>	mm	109
	3.7	Tread width, rear	b <sub>11</sub>	mm	370
Basic dimensions	4.4	Lift (h <sub>3</sub> )	h <sub>3</sub>	mm	122
	4.14	Stand height, elevated	h <sub>12</sub>	mm	205
	4.15	Height, lowered	h <sub>13</sub>	mm	83
	4.19	Overall length	l <sub>1</sub>	mm	1275
	4.20	Length including fork shank	l <sub>2</sub>	mm	373
	4.21.1	Overall width	b <sub>1</sub>	mm	520
	4.22	Fork dimensions	s/e/l	mm	53 x 150 x 902
	4.25	Width across forks	b <sub>5</sub>	mm	520
	4.32	Ground clearance centre of wheelbase	m <sub>2</sub>	mm	30
	4.34.1	Aisle width (pallet 1000x1200 sideways)	A <sub>st</sub>	mm	1584
	4.34.2	Aisle width (pallet 800x1200 length)	A <sub>st</sub>	mm	1784
	4.35	Turning radius	W <sub>a</sub>	mm	1026
	Performance data	5.3	Lowering speed laden/unladen		m/s
- This data sheet according to VDI guideline 2198 only states the technical values of the standard truck. Different tyres, other masts, additional equipment etc. may result in different values.					

Characteristic	1.1	Manufacturer (abbreviated description)			Jungheinrich
	1.2	Manufacturer's type designation			<b>AM 22 SH</b>
	1.3	Drive			Manual
	1.4	Operation			Manual
	1.5	Load capacity/load	Q	kg	2200
	1.6	Load centre distance	c	mm	500
	1.9	Wheelbase	y	mm	910
Weights	2.1	Service weight		kg	56
Wheels/suspension system	3.1	Tyres			C-BV
	3.2	Tyre size, front			Ø 170x50
	3.3	Tyre size, rear			Ø 82x96
	3.5	Wheels, number front/back (x=driven)			2/4
	3.6	Tread width, front	b <sub>10</sub>	mm	109
	3.7	Tread width, rear	b <sub>11</sub>	mm	370

Basic dimensions	4.4	Lift (h <sub>3</sub> )	h <sub>3</sub>	mm	122
	4.14	Stand height, elevated	h <sub>12</sub>	mm	205
	4.15	Height, lowered	h <sub>13</sub>	mm	83
	4.19	Overall length	l <sub>1</sub>	mm	1323
	4.20	Length including fork shank	l <sub>2</sub>	mm	373
	4.21.1	Overall width	b <sub>1</sub>	mm	520
	4.22	Fork dimensions	s/e/l	mm	53 x 150 x 950
	4.25	Width across forks	b <sub>5</sub>	mm	520
	4.32	Ground clearance centre of wheelbase	m <sub>2</sub>	mm	30
	4.34.1	Aisle width (pallet 1000x1200 sideways)	Ast	mm	1584
	4.34.2	Aisle width (pallet 800x1200 length)	Ast	mm	1784
	4.35	Turning radius	W <sub>a</sub>	mm	1074
Performance data	5.3	Lowering speed laden/unladen		m/s	0.09 / 0.02
- This data sheet according to VDI guideline 2198 only states the technical values of the standard truck. Different tyres, other masts, additional equipment etc. may result in different values.					

Characteristic	1.1	Manufacturer (abbreviated description)			Jungheinrich
	1.2	Manufacturer's type designation			<b>AM 22 SH</b>
	1.3	Drive			Manual
	1.4	Operation			Manual
	1.5	Load capacity/load	Q	kg	2200
	1.6	Load centre distance	c	mm	550
	1.9	Wheelbase	y	mm	1014
Weights	2.1	Service weight		kg	60
Wheels/suspension system	3.1	Tyres			C-BV
	3.2	Tyre size, front			Ø 170x50
	3.3	Tyre size, rear			Ø 82x96
	3.5	Wheels, number front/back (x=driven)			2/4
	3.6	Tread width, front	b <sub>10</sub>	mm	109
	3.7	Tread width, rear	b <sub>11</sub>	mm	370
Basic dimensions	4.4	Lift (h <sub>3</sub> )	h <sub>3</sub>	mm	122
	4.14	Stand height, elevated	h <sub>12</sub>	mm	205
	4.15	Height, lowered	h <sub>13</sub>	mm	83
	4.19	Overall length	l <sub>1</sub>	mm	1427
	4.20	Length including fork shank	l <sub>2</sub>	mm	373
	4.21.1	Overall width	b <sub>1</sub>	mm	520
	4.22	Fork dimensions	s/e/l	mm	53 x 150 x 1054
	4.25	Width across forks	b <sub>5</sub>	mm	520
	4.32	Ground clearance centre of wheelbase	m <sub>2</sub>	mm	30
4.34.1	Aisle width (pallet 1000x1200 sideways)	Ast	mm	1627	

	4.34.2	Aisle width (pallet 800x1200 length)	Ast	mm	1784
	4.35	Turning radius	W <sub>a</sub>	mm	1178
Performance data	5.3	Lowering speed laden/unladen		m/s	0.09 / 0.02
- This data sheet according to VDI guideline 2198 only states the technical values of the standard truck. Different tyres, other masts, additional equipment etc. may result in different values.					

Characteristic	1.1	Manufacturer (abbreviated description)			Jungheinrich
	1.2	Manufacturer's type designation			<b>AM 22 SH</b>
	1.3	Drive			Manual
	1.4	Operation			Manual
	1.5	Load capacity/load	Q	kg	2200
	1.6	Load centre distance	c	mm	600
	1.9	Wheelbase	y	mm	1110
Weights	2.1	Service weight		kg	60
Wheels/suspension system	3.1	Tyres			C-BV
	3.2	Tyre size, front			Ø 170x50
	3.3	Tyre size, rear			Ø 82x96
	3.5	Wheels, number front/back (x=driven)			2/4
	3.6	Tread width, front	b <sub>10</sub>	mm	109
	3.7	Tread width, rear	b <sub>11</sub>	mm	370
Basic dimensions	4.4	Lift (h <sub>3</sub> )	h <sub>3</sub>	mm	122
	4.14	Stand height, elevated	h <sub>12</sub>	mm	205
	4.15	Height, lowered	h <sub>13</sub>	mm	83
	4.19	Overall length	l <sub>1</sub>	mm	1523
	4.20	Length including fork shank	l <sub>2</sub>	mm	373
	4.21.1	Overall width	b <sub>1</sub>	mm	520
	4.22	Fork dimensions	s/e/l	mm	53 x 150 x 1150
	4.25	Width across forks	b <sub>5</sub>	mm	520
	4.32	Ground clearance centre of wheelbase	m <sub>2</sub>	mm	30
	4.34.1	Aisle width (pallet 1000x1200 sideways)	Ast	mm	1734
	4.34.2	Aisle width (pallet 800x1200 length)	Ast	mm	1784
4.35	Turning radius	W <sub>a</sub>	mm	1274	
Performance data	5.3	Lowering speed laden/unladen		m/s	0.09 / 0.02



- This data sheet according to VDI guideline 2198 only states the technical values of the standard truck. Different tyres, other masts, additional equipment etc. may result in different values.

Characteristic	1.1	Manufacturer (abbreviated description)		Jungheinrich	
	1.2	Manufacturer's type designation		<b>AM 22 SH</b>	
	1.3	Drive		Manual	
	1.4	Operation		Manual	
	1.5	Load capacity/load	Q	kg	2200
	1.6	Load centre distance	c	mm	600
	1.9	Wheelbase	y	mm	1110
Weights	2.1	Service weight		kg	61
Wheels/suspension system	3.1	Tyres			C-BV
	3.2	Tyre size, front			Ø 170x50
	3.3	Tyre size, rear			Ø 82x96
	3.5	Wheels, number front/back (x=driven)			2/4
	3.6	Tread width, front	b <sub>10</sub>	mm	109
	3.7	Tread width, rear	b <sub>11</sub>	mm	370
	Basic dimensions	4.4	Lift (h <sub>3</sub> )	h <sub>3</sub>	mm
4.14		Stand height, elevated	h <sub>12</sub>	mm	205
4.15		Height, lowered	h <sub>13</sub>	mm	83
4.19		Overall length	l <sub>1</sub>	mm	1523
4.20		Length including fork shank	l <sub>2</sub>	mm	373
4.21.1		Overall width	b <sub>1</sub>	mm	520
4.22		Fork dimensions	s/e/l	mm	53 x 150 x 1207
4.25		Width across forks	b <sub>5</sub>	mm	520
4.32		Ground clearance centre of wheelbase	m <sub>2</sub>	mm	30
4.34.1		Aisle width (pallet 1000x1200 sideways)	A <sub>st</sub>	mm	1734
4.34.2		Aisle width (pallet 800x1200 length)	A <sub>st</sub>	mm	1784
4.35		Turning radius	W <sub>a</sub>	mm	1274
Performance data		5.3	Lowering speed laden/unladen		m/s

- This data sheet according to VDI guideline 2198 only states the technical values of the standard truck. Different tyres, other masts, additional equipment etc. may result in different values.

Characteristic	1.1	Manufacturer (abbreviated description)		Jungheinrich	
	1.2	Manufacturer's type designation		<b>AM 22 SH</b>	
	1.3	Drive		Manual	
	1.4	Operation		Manual	
	1.5	Load capacity/load	Q	kg	2200
	1.6	Load centre distance	c	mm	700

	1.9	Wheelbase	y	mm	1320
Weights	2.1	Service weight		kg	70
Wheels/suspension system	3.1	Tyres			C-BV
	3.2	Tyre size, front			Ø 170x50
	3.3	Tyre size, rear			Ø 82x96
	3.5	Wheels, number front/back (x=driven)			2/4
	3.6	Tread width, front	b <sub>10</sub>	mm	109
	3.7	Tread width, rear	b <sub>11</sub>	mm	370
Basic dimensions	4.4	Lift (h <sub>3</sub> )	h <sub>3</sub>	mm	122
	4.14	Stand height, elevated	h <sub>12</sub>	mm	205
	4.15	Height, lowered	h <sub>13</sub>	mm	83
	4.19	Overall length	l <sub>1</sub>	mm	1733
	4.20	Length including fork shank	l <sub>2</sub>	mm	373
	4.21.1	Overall width	b <sub>1</sub>	mm	520
	4.22	Fork dimensions	s/e/l	mm	53 x 150 x 1360
	4.25	Width across forks	b <sub>5</sub>	mm	520
	4.32	Ground clearance centre of wheelbase	m <sub>2</sub>	mm	30
	4.34.1	Aisle width (pallet 1000x1200 sideways)	A <sub>st</sub>	mm	1933
	4.34.2	Aisle width (pallet 800x1200 length)	A <sub>st</sub>	mm	1933
4.35	Turning radius	W <sub>a</sub>	mm	1484	
Performance data	5.3	Lowering speed laden/unladen		m/s	0.09 / 0.02

- This data sheet according to VDI guideline 2198 only states the technical values of the standard truck. Different tyres, other masts, additional equipment etc. may result in different values.

Characteristic	1.1	Manufacturer (abbreviated description)			Jungheinrich
	1.2	Manufacturer's type designation			<b>AM 22 SH</b>
	1.3	Drive			Manual
	1.4	Operation			Manual
	1.5	Load capacity/load	Q	kg	1700
	1.6	Load centre distance	c	mm	800
	1.9	Wheelbase	y	mm	1560
Weights	2.1	Service weight		kg	82

Wheels/suspension system	3.1	Tyres			C-BV
	3.2	Tyre size, front			Ø 170x50
	3.3	Tyre size, rear			Ø 82x96
	3.5	Wheels, number front/back (x=driven)			2/4
	3.6	Tread width, front	b <sub>10</sub>	mm	109
	3.7	Tread width, rear	b <sub>11</sub>	mm	370
	Basic dimensions	4.4	Lift (h <sub>3</sub> )	h <sub>3</sub>	mm
4.14		Stand height, elevated	h <sub>12</sub>	mm	205
4.15		Height, lowered	h <sub>13</sub>	mm	83
4.19		Overall length	l <sub>1</sub>	mm	1973
4.20		Length including fork shank	l <sub>2</sub>	mm	373
4.21.1		Overall width	b <sub>1</sub>	mm	520
4.22		Fork dimensions	s/e/l	mm	53 x 150 x 1600
4.25		Width across forks	b <sub>5</sub>	mm	520
4.32		Ground clearance centre of wheelbase	m <sub>2</sub>	mm	30
4.34.1		Aisle width (pallet 1000x1200 sideways)	A <sub>st</sub>	mm	2173
4.34.2		Aisle width (pallet 800x1200 length)	A <sub>st</sub>	mm	2173
4.35		Turning radius	W <sub>a</sub>	mm	1724
Performance data		5.3	Lowering speed laden/unladen		m/s
- This data sheet according to VDI guideline 2198 only states the technical values of the standard truck. Different tyres, other masts, additional equipment etc. may result in different values.					

Characteristic	1.1	Manufacturer (abbreviated description)			Jungheinrich
	1.2	Manufacturer's type designation			<b>AM 22 SH</b>
	1.3	Drive			Manual
	1.4	Operation			Manual
	1.5	Load capacity/load	Q	kg	1200
	1.6	Load centre distance	c	mm	900
	1.9	Wheelbase	y	mm	1860
Weights	2.1	Service weight		kg	82
Wheels/suspension system	3.1	Tyres			C-BV
	3.2	Tyre size, front			Ø 170x50
	3.3	Tyre size, rear			Ø 82x96
	3.5	Wheels, number front/back (x=driven)			2/4
	3.6	Tread width, front	b <sub>10</sub>	mm	109
	3.7	Tread width, rear	b <sub>11</sub>	mm	370
	Basic dimensions	4.4	Lift (h <sub>3</sub> )	h <sub>3</sub>	mm
4.14		Stand height, elevated	h <sub>12</sub>	mm	205
4.15		Height, lowered	h <sub>13</sub>	mm	83
4.19		Overall length	l <sub>1</sub>	mm	2273

	4.20	Length including fork shank	$l_2$	mm	373
	4.21.1	Overall width	$b_1$	mm	520
	4.22	Fork dimensions	s/e/l	mm	53 x 150 x 1900
	4.25	Width across forks	$b_5$	mm	520
	4.32	Ground clearance centre of wheelbase	$m_2$	mm	30
	4.34.1	Aisle width (pallet 1000x1200 sideways)	$A_{st}$	mm	2473
	4.34.2	Aisle width (pallet 800x1200 length)	$A_{st}$	mm	2473
	4.35	Turning radius	$W_a$	mm	2024
Performance data	5.3	Lowering speed laden/unladen		m/s	0.09 / 0.02
- This data sheet according to VDI guideline 2198 only states the technical values of the standard truck. Different tyres, other masts, additional equipment etc. may result in different values.					

Characteristic	1.1	Manufacturer (abbreviated description)			Jungheinrich
	1.2	Manufacturer's type designation			<b>AM 22 SH</b>
	1.3	Drive			Manual
	1.4	Operation			Manual
	1.5	Load capacity/load	Q	kg	500
	1.6	Load centre distance	c	mm	1200
	1.9	Wheelbase	y	mm	2360
Weights	2.1	Service weight		kg	90
Wheels/suspension system	3.1	Tyres			C-BV
	3.2	Tyre size, front			Ø 170x50
	3.3	Tyre size, rear			Ø 82x96
	3.5	Wheels, number front/back (x=driven)			2/4
	3.6	Tread width, front	$b_{10}$	mm	109
	3.7	Tread width, rear	$b_{11}$	mm	370
Basic dimensions	4.4	Lift (h3)	$h_3$	mm	122
	4.14	Stand height, elevated	$h_{12}$	mm	205
	4.15	Height, lowered	$h_{13}$	mm	83
	4.19	Overall length	$l_1$	mm	2773
	4.20	Length including fork shank	$l_2$	mm	373
	4.21.1	Overall width	$b_1$	mm	520
	4.22	Fork dimensions	s/e/l	mm	53 x 150 x 2400
	4.25	Width across forks	$b_5$	mm	520
	4.32	Ground clearance centre of wheelbase	$m_2$	mm	30
	4.34.1	Aisle width (pallet 1000x1200 sideways)	$A_{st}$	mm	2973
	4.34.2	Aisle width (pallet 800x1200 length)	$A_{st}$	mm	2973
	4.35	Turning radius	$W_a$	mm	2524

Performance data	5.3	Lowering speed laden/unladen	m/s	0.09 / 0.02
	- This data sheet according to VDI guideline 2198 only states the technical values of the standard truck. Different tyres, other masts, additional equipment etc. may result in different values.			

Characteristic	1.1	Manufacturer (abbreviated description)		Jungheinrich	
	1.2	Manufacturer's type designation		<b>AM 22 SH</b>	
	1.3	Drive		Manual	
	1.4	Operation		Manual	
	1.5	Load capacity/load	Q	kg	2200
	1.6	Load centre distance	c	mm	300
	1.9	Wheelbase	y	mm	560
Weights	2.1	Service weight		kg	55
Wheels/suspension system	3.1	Tyres			C-BV
	3.2	Tyre size, front			Ø 170x50
	3.3	Tyre size, rear			Ø 82x96
	3.5	Wheels, number front/back (x=driven)			2/4
	3.6	Tread width, front	b <sub>10</sub>	mm	109
	3.7	Tread width, rear	b <sub>11</sub>	mm	370
Basic dimensions	4.4	Lift (h <sub>3</sub> )	h <sub>3</sub>	mm	122
	4.14	Stand height, elevated	h <sub>12</sub>	mm	205
	4.15	Height, lowered	h <sub>13</sub>	mm	83
	4.19	Overall length	l <sub>1</sub>	mm	973
	4.20	Length including fork shank	l <sub>2</sub>	mm	373
	4.21.1	Overall width	b <sub>1</sub>	mm	680
	4.22	Fork dimensions	s/e/l	mm	53 x 150 x 600
	4.25	Width across forks	b <sub>5</sub>	mm	680
	4.32	Ground clearance centre of wheelbase	m <sub>2</sub>	mm	30
	4.34.1	Aisle width (pallet 1000x1200 sideways)	A <sub>st</sub>	mm	1584
	4.34.2	Aisle width (pallet 800x1200 length)	A <sub>st</sub>	mm	1784
4.35	Turning radius	W <sub>a</sub>	mm	724	
Performance data	5.3	Lowering speed laden/unladen		m/s	0.09 / 0.02
- This data sheet according to VDI guideline 2198 only states the technical values of the standard truck. Different tyres, other masts, additional equipment etc. may result in different values.					

Characteristic	1.1	Manufacturer (abbreviated description)		Jungheinrich	
	1.2	Manufacturer's type designation		<b>AM 22 SH</b>	
	1.3	Drive		Manual	
	1.4	Operation		Manual	
	1.5	Load capacity/load	Q	kg	2200
	1.6	Load centre distance	c	mm	400
	1.9	Wheelbase	y	mm	755
Weights	2.1	Service weight		kg	57
Wheels/suspension system	3.1	Tyres			C-BV
	3.2	Tyre size, front			Ø 170x50
	3.3	Tyre size, rear			Ø 82x96
	3.5	Wheels, number front/back (x=driven)			2/4
	3.6	Tread width, front	b <sub>10</sub>	mm	109
	3.7	Tread width, rear	b <sub>11</sub>	mm	370
Basic dimensions	4.4	Lift (h <sub>3</sub> )	h <sub>3</sub>	mm	122
	4.14	Stand height, elevated	h <sub>12</sub>	mm	205
	4.15	Height, lowered	h <sub>13</sub>	mm	83
	4.19	Overall length	l <sub>1</sub>	mm	1168
	4.20	Length including fork shank	l <sub>2</sub>	mm	373
	4.21.1	Overall width	b <sub>1</sub>	mm	680
	4.22	Fork dimensions	s/e/l	mm	53 x 150 x 795
	4.25	Width across forks	b <sub>5</sub>	mm	680
	4.32	Ground clearance centre of wheelbase	m <sub>2</sub>	mm	30
	4.34.1	Aisle width (pallet 1000x1200 sideways)	A <sub>st</sub>	mm	1584
	4.34.2	Aisle width (pallet 800x1200 length)	A <sub>st</sub>	mm	1784
	4.35	Turning radius	W <sub>a</sub>	mm	919
Performance data	5.3	Lowering speed laden/unladen		m/s	0.09 / 0.02
- This data sheet according to VDI guideline 2198 only states the technical values of the standard truck. Different tyres, other masts, additional equipment etc. may result in different values.					

Characteristic	1.1	Manufacturer (abbreviated description)		Jungheinrich	
	1.2	Manufacturer's type designation		<b>AM 22 SH</b>	
	1.3	Drive		Manual	
	1.4	Operation		Manual	
	1.5	Load capacity/load	Q	kg	2200
	1.6	Load centre distance	c	mm	450
	1.9	Wheelbase	y	mm	862

Weights	2.1	Service weight		kg	58
Wheels/suspension system	3.1	Tyres			C-BV
	3.2	Tyre size, front			Ø 170x50
	3.3	Tyre size, rear			Ø 82x96
	3.5	Wheels, number front/back (x=driven)			2/4
	3.6	Tread width, front	b <sub>10</sub>	mm	109
	3.7	Tread width, rear	b <sub>11</sub>	mm	370
Basic dimensions	4.4	Lift (h <sub>3</sub> )	h <sub>3</sub>	mm	122
	4.14	Stand height, elevated	h <sub>12</sub>	mm	205
	4.15	Height, lowered	h <sub>13</sub>	mm	83
	4.19	Overall length	l <sub>1</sub>	mm	1275
	4.20	Length including fork shank	l <sub>2</sub>	mm	373
	4.21.1	Overall width	b <sub>1</sub>	mm	680
	4.22	Fork dimensions	s/e/l	mm	53 x 150 x 902
	4.25	Width across forks	b <sub>5</sub>	mm	680
	4.32	Ground clearance centre of wheelbase	m <sub>2</sub>	mm	30
	4.34.1	Aisle width (pallet 1000x1200 sideways)	A <sub>st</sub>	mm	1584
	4.34.2	Aisle width (pallet 800x1200 length)	A <sub>st</sub>	mm	1784
	4.35	Turning radius	W <sub>a</sub>	mm	1026
	Performance data	5.3	Lowering speed laden/unladen		m/s
- This data sheet according to VDI guideline 2198 only states the technical values of the standard truck. Different tyres, other masts, additional equipment etc. may result in different values.					

Characteristic	1.1	Manufacturer (abbreviated description)			Jungheinrich
	1.2	Manufacturer's type designation			<b>AM 22 SH</b>
	1.3	Drive			Manual
	1.4	Operation			Manual
	1.5	Load capacity/load	Q	kg	2200
	1.6	Load centre distance	c	mm	500
	1.9	Wheelbase	y	mm	910
Weights	2.1	Service weight		kg	59
Wheels/suspension system	3.1	Tyres			C-BV
	3.2	Tyre size, front			Ø 170x50
	3.3	Tyre size, rear			Ø 82x96
	3.5	Wheels, number front/back (x=driven)			2/4
	3.6	Tread width, front	b <sub>10</sub>	mm	109
	3.7	Tread width, rear	b <sub>11</sub>	mm	370

Basic dimensions	4.4	Lift (h <sub>3</sub> )	h <sub>3</sub>	mm	122
	4.14	Stand height, elevated	h <sub>12</sub>	mm	205
	4.15	Height, lowered	h <sub>13</sub>	mm	83
	4.19	Overall length	l <sub>1</sub>	mm	1323
	4.20	Length including fork shank	l <sub>2</sub>	mm	373
	4.21.1	Overall width	b <sub>1</sub>	mm	680
	4.22	Fork dimensions	s/e/l	mm	53 x 150 x 950
	4.25	Width across forks	b <sub>5</sub>	mm	680
	4.32	Ground clearance centre of wheelbase	m <sub>2</sub>	mm	30
	4.34.1	Aisle width (pallet 1000x1200 sideways)	Ast	mm	1584
	4.34.2	Aisle width (pallet 800x1200 length)	Ast	mm	1784
	4.35	Turning radius	W <sub>a</sub>	mm	1074
Performance data	5.3	Lowering speed laden/unladen		m/s	0.09 / 0.02
- This data sheet according to VDI guideline 2198 only states the technical values of the standard truck. Different tyres, other masts, additional equipment etc. may result in different values.					

Characteristic	1.1	Manufacturer (abbreviated description)			Jungheinrich
	1.2	Manufacturer's type designation			<b>AM 22 SH</b>
	1.3	Drive			Manual
	1.4	Operation			Manual
	1.5	Load capacity/load	Q	kg	2200
	1.6	Load centre distance	c	mm	550
Weights	2.1	Service weight		kg	62
Wheels/suspension system	3.1	Tyres			C-BV
	3.2	Tyre size, front			Ø 170x50
	3.3	Tyre size, rear			Ø 82x96
	3.5	Wheels, number front/back (x=driven)			2/4
	3.6	Tread width, front	b <sub>10</sub>	mm	109
	3.7	Tread width, rear	b <sub>11</sub>	mm	370
	Basic dimensions	4.4	Lift (h <sub>3</sub> )	h <sub>3</sub>	mm
4.14		Stand height, elevated	h <sub>12</sub>	mm	205
4.15		Height, lowered	h <sub>13</sub>	mm	83
4.19		Overall length	l <sub>1</sub>	mm	1427
4.20		Length including fork shank	l <sub>2</sub>	mm	373
4.21.1		Overall width	b <sub>1</sub>	mm	680
4.22		Fork dimensions	s/e/l	mm	53 x 150 x 1054
4.25		Width across forks	b <sub>5</sub>	mm	680
4.32		Ground clearance centre of wheelbase	m <sub>2</sub>	mm	30
4.34.1		Aisle width (pallet 1000x1200 sideways)	Ast	mm	1627
4.34.2	Aisle width (pallet 800x1200 length)	Ast	mm	1784	



	4.35	Turning radius	$W_a$	mm	1178
Performance data	5.3	Lowering speed laden/unladen		m/s	0.09 / 0.02
- This data sheet according to VDI guideline 2198 only states the technical values of the standard truck. Different tyres, other masts, additional equipment etc. may result in different values.					

Characteristic	1.1	Manufacturer (abbreviated description)			Jungheinrich
	1.2	Manufacturer's type designation			<b>AM 22 SH</b>
	1.3	Drive			Manual
	1.4	Operation			Manual
	1.5	Load capacity/load	Q	kg	2200
	1.6	Load centre distance	c	mm	600
	1.9	Wheelbase	y	mm	1110
Weights	2.1	Service weight		kg	63
Wheels/suspension system	3.1	Tyres			C-BV
	3.2	Tyre size, front			Ø 170x50
	3.3	Tyre size, rear			Ø 82x96
	3.5	Wheels, number front/back (x=driven)			2/4
	3.6	Tread width, front	$b_{10}$	mm	109
	3.7	Tread width, rear	$b_{11}$	mm	370
Basic dimensions	4.4	Lift (h <sub>3</sub> )	$h_3$	mm	122
	4.14	Stand height, elevated	$h_{12}$	mm	205
	4.15	Height, lowered	$h_{13}$	mm	83
	4.19	Overall length	$l_1$	mm	1523
	4.20	Length including fork shank	$l_2$	mm	373
	4.21.1	Overall width	$b_1$	mm	680
	4.22	Fork dimensions	s/e/l	mm	53 x 150 x 1150
	4.25	Width across forks	$b_5$	mm	680
	4.32	Ground clearance centre of wheelbase	$m_2$	mm	30
	4.34.1	Aisle width (pallet 1000x1200 sideways)	$A_{st}$	mm	1734
	4.34.2	Aisle width (pallet 800x1200 length)	$A_{st}$	mm	1784
4.35	Turning radius	$W_a$	mm	1274	
Performance data	5.3	Lowering speed laden/unladen		m/s	0.09 / 0.02

- This data sheet according to VDI guideline 2198 only states the technical values of the standard truck. Different tyres, other masts, additional equipment etc. may result in different values.

Characteristic	1.1	Manufacturer (abbreviated description)		Jungheinrich	
	1.2	Manufacturer's type designation		<b>AM 22 SH</b>	
	1.3	Drive		Manual	
	1.4	Operation		Manual	
	1.5	Load capacity/load	Q	kg	2200
	1.6	Load centre distance	c	mm	600
	1.9	Wheelbase	y	mm	1110
Weights	2.1	Service weight		kg	64
Wheels/suspension system	3.1	Tyres			C-BV
	3.2	Tyre size, front			Ø 170x50
	3.3	Tyre size, rear			Ø 82x96
	3.5	Wheels, number front/back (x=driven)			2/4
	3.6	Tread width, front	b <sub>10</sub>	mm	109
	3.7	Tread width, rear	b <sub>11</sub>	mm	370
	Basic dimensions	4.4	Lift (h <sub>3</sub> )	h <sub>3</sub>	mm
4.14		Stand height, elevated	h <sub>12</sub>	mm	205
4.15		Height, lowered	h <sub>13</sub>	mm	83
4.19		Overall length	l <sub>1</sub>	mm	1523
4.20		Length including fork shank	l <sub>2</sub>	mm	373
4.21.1		Overall width	b <sub>1</sub>	mm	680
4.22		Fork dimensions	s/e/l	mm	53 x 150 x 1207
4.25		Width across forks	b <sub>5</sub>	mm	680
4.32		Ground clearance centre of wheelbase	m <sub>2</sub>	mm	30
4.34.1		Aisle width (pallet 1000x1200 sideways)	A <sub>st</sub>	mm	1734
4.34.2		Aisle width (pallet 800x1200 length)	A <sub>st</sub>	mm	1784
4.35		Turning radius	W <sub>a</sub>	mm	1274
Performance data		5.3	Lowering speed laden/unladen		m/s

- This data sheet according to VDI guideline 2198 only states the technical values of the standard truck. Different tyres, other masts, additional equipment etc. may result in different values.

Characteristic	1.1	Manufacturer (abbreviated description)		Jungheinrich	
	1.2	Manufacturer's type designation		<b>AM 22 SH</b>	
	1.3	Drive		Manual	
	1.4	Operation		Manual	
	1.5	Load capacity/load	Q	kg	2200
	1.6	Load centre distance	c	mm	700

	1.9	Wheelbase	y	mm	1320
Weights	2.1	Service weight		kg	73
Wheels/suspension system	3.1	Tyres			C-BV
	3.2	Tyre size, front			Ø 170x50
	3.3	Tyre size, rear			Ø 82x96
	3.5	Wheels, number front/back (x=driven)			2/4
	3.6	Tread width, front	b <sub>10</sub>	mm	109
	3.7	Tread width, rear	b <sub>11</sub>	mm	370
Basic dimensions	4.4	Lift (h <sub>3</sub> )	h <sub>3</sub>	mm	122
	4.14	Stand height, elevated	h <sub>12</sub>	mm	205
	4.15	Height, lowered	h <sub>13</sub>	mm	83
	4.19	Overall length	l <sub>1</sub>	mm	1733
	4.20	Length including fork shank	l <sub>2</sub>	mm	373
	4.21.1	Overall width	b <sub>1</sub>	mm	680
	4.22	Fork dimensions	s/e/l	mm	53 x 150 x 1360
	4.25	Width across forks	b <sub>5</sub>	mm	680
	4.32	Ground clearance centre of wheelbase	m <sub>2</sub>	mm	30
	4.34.1	Aisle width (pallet 1000x1200 sideways)	A <sub>st</sub>	mm	1933
	4.34.2	Aisle width (pallet 800x1200 length)	A <sub>st</sub>	mm	1933
4.35	Turning radius	W <sub>a</sub>	mm	1484	
Performance data	5.3	Lowering speed laden/unladen		m/s	0.09 / 0.02
- This data sheet according to VDI guideline 2198 only states the technical values of the standard truck. Different tyres, other masts, additional equipment etc. may result in different values.					

Characteristic	1.1	Manufacturer (abbreviated description)			Jungheinrich
	1.2	Manufacturer's type designation			<b>AM 22 SH</b>
	1.3	Drive			Manual
	1.4	Operation			Manual
	1.5	Load capacity/load	Q	kg	1700
	1.6	Load centre distance	c	mm	800
	1.9	Wheelbase	y	mm	1560
Weights	2.1	Service weight		kg	85

Wheels/suspension system	3.1	Tyres		C-BV	
	3.2	Tyre size, front		Ø 170x50	
	3.3	Tyre size, rear		Ø 82x96	
	3.5	Wheels, number front/back (x=driven)		2/4	
	3.6	Tread width, front	b <sub>10</sub>	mm	109
	3.7	Tread width, rear	b <sub>11</sub>	mm	370
	Basic dimensions	4.4	Lift (h <sub>3</sub> )	h <sub>3</sub>	mm
4.14		Stand height, elevated	h <sub>12</sub>	mm	205
4.15		Height, lowered	h <sub>13</sub>	mm	83
4.19		Overall length	l <sub>1</sub>	mm	1973
4.20		Length including fork shank	l <sub>2</sub>	mm	373
4.21.1		Overall width	b <sub>1</sub>	mm	680
4.22		Fork dimensions	s/e/l	mm	53 x 150 x 1600
4.25		Width across forks	b <sub>5</sub>	mm	680
4.32		Ground clearance centre of wheelbase	m <sub>2</sub>	mm	30
4.34.1		Aisle width (pallet 1000x1200 sideways)	A <sub>st</sub>	mm	2173
4.34.2		Aisle width (pallet 800x1200 length)	A <sub>st</sub>	mm	2173
4.35		Turning radius	W <sub>a</sub>	mm	1724
Performance data		5.3	Lowering speed laden/unladen		m/s
- This data sheet according to VDI guideline 2198 only states the technical values of the standard truck. Different tyres, other masts, additional equipment etc. may result in different values.					

Characteristic	1.1	Manufacturer (abbreviated description)		Jungheinrich	
	1.2	Manufacturer's type designation		<b>AM 22 SH</b>	
	1.3	Drive		Manual	
	1.4	Operation		Manual	
	1.5	Load capacity/load	Q	kg	1200
	1.6	Load centre distance	c	mm	900
	1.9	Wheelbase	y	mm	1860
Weights	2.1	Service weight		kg	85
Wheels/suspension system	3.1	Tyres		C-BV	
	3.2	Tyre size, front		Ø 170x50	
	3.3	Tyre size, rear		Ø 82x96	
	3.5	Wheels, number front/back (x=driven)		2/4	
	3.6	Tread width, front	b <sub>10</sub>	mm	109
	3.7	Tread width, rear	b <sub>11</sub>	mm	370
	Basic dimensions	4.4	Lift (h <sub>3</sub> )	h <sub>3</sub>	mm
4.14		Stand height, elevated	h <sub>12</sub>	mm	205
4.15		Height, lowered	h <sub>13</sub>	mm	83
4.19		Overall length	l <sub>1</sub>	mm	2273

	4.20	Length including fork shank	$l_2$	mm	373
	4.21.1	Overall width	$b_1$	mm	680
	4.22	Fork dimensions	s/e/l	mm	53 x 150 x 1900
	4.25	Width across forks	$b_5$	mm	680
	4.32	Ground clearance centre of wheelbase	$m_2$	mm	30
	4.34.1	Aisle width (pallet 1000x1200 sideways)	$A_{st}$	mm	2473
	4.34.2	Aisle width (pallet 800x1200 length)	$A_{st}$	mm	2473
	4.35	Turning radius	$W_3$	mm	2024
Performance data	5.3	Lowering speed laden/unladen		m/s	0.09 / 0.02
<p>- This data sheet according to VDI guideline 2198 only states the technical values of the standard truck. Different tyres, other masts, additional equipment etc. may result in different values.</p>					

Note. The tables do not represent all tyre variants. Not all tyre variants are available for all fork lengths.

Available tyres:

Steering wheels: N = nylon, C = rubber, V = polyurethane.

Load rollers: GN = single nylon, GV = single polyurethane, BN = tandem nylon, BV = tandem polyurethane.

The German production facilities in  
Norderstedt, Moosburg and Landsberg  
are certified.

ISO 9001  
ISO 14001

Jungheinrich fork lift trucks meet  
European safety requirements.



 **JUNGHEINRICH**

The Jungheinrich logo, featuring a red upward-pointing arrow above the word 'JUNGHEINRICH' in a bold, black, sans-serif font.