

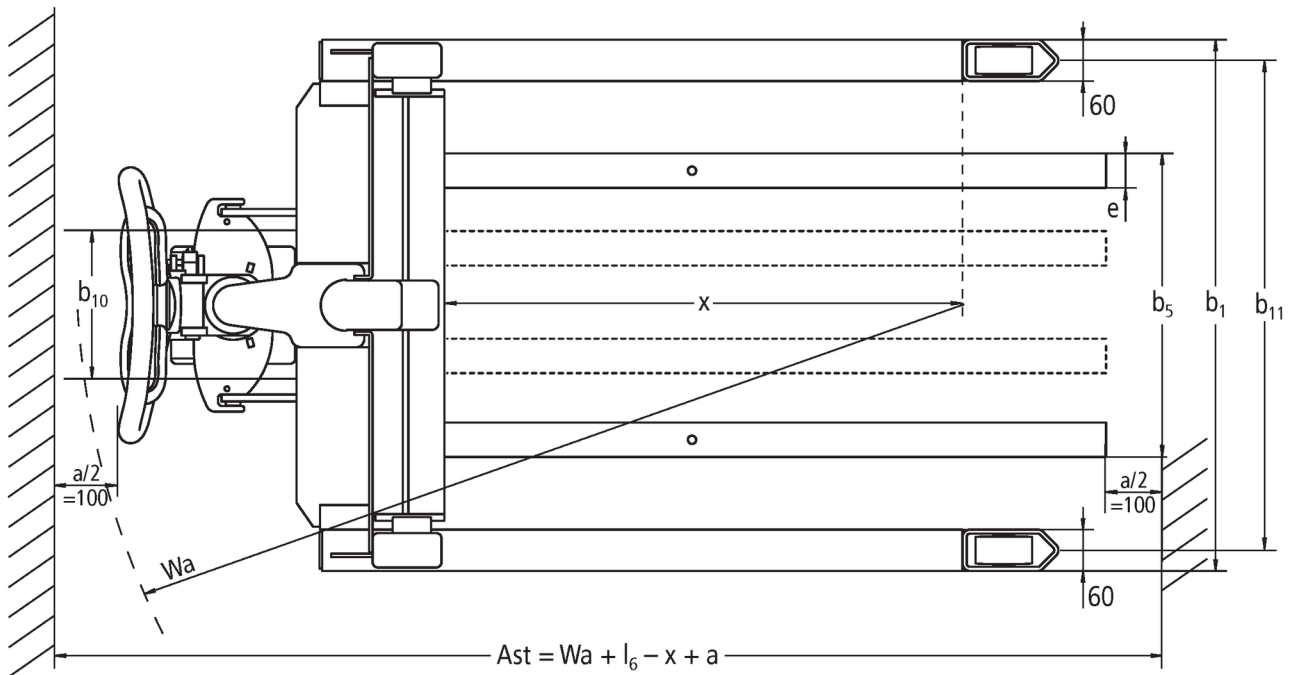
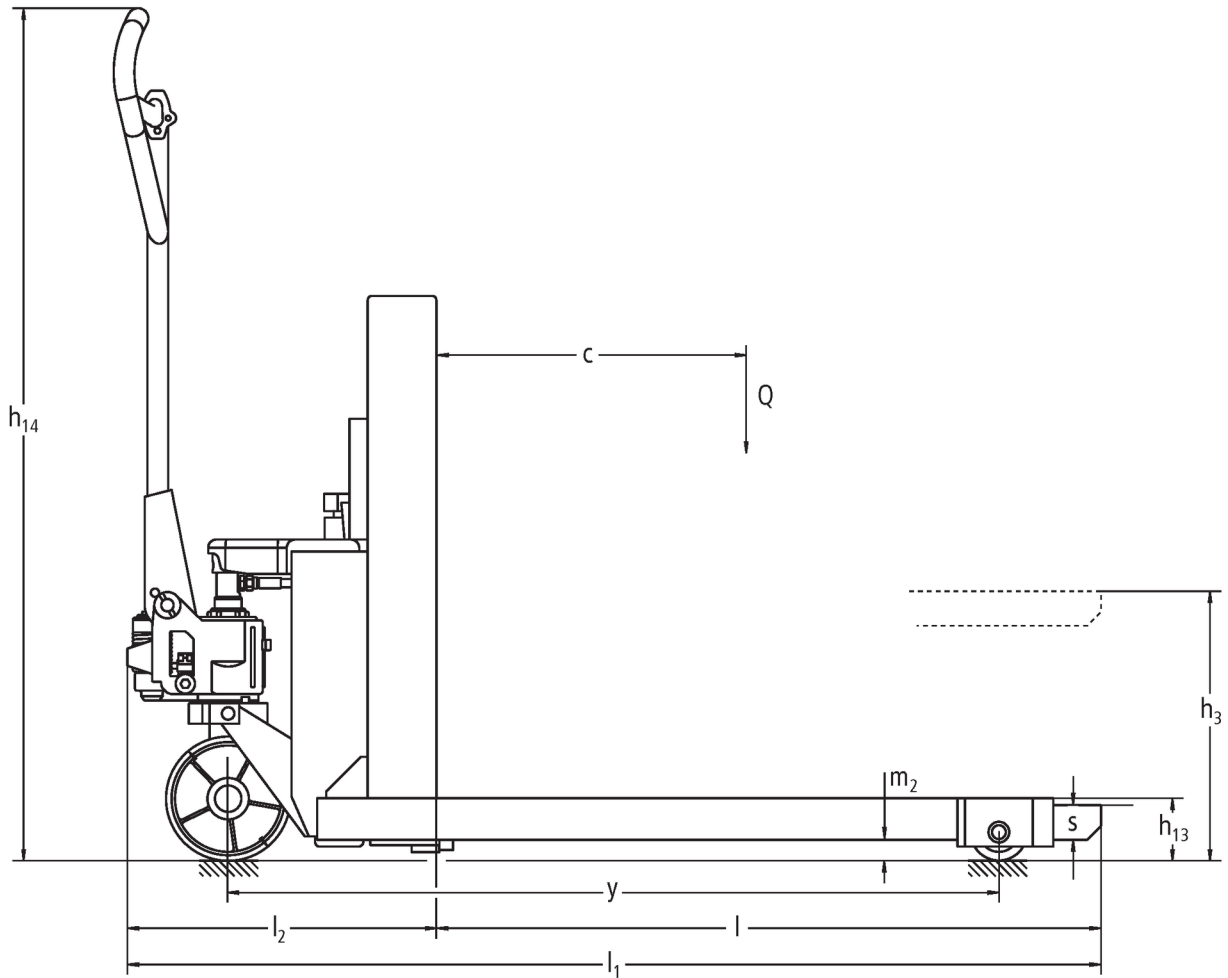


Hand pallet truck **AM V05**

Lift height: 390 mm / Load capacity: 500 kg

JUNGHEINRICH

AM V05



VDI table

Stand-on: 08/2022

Characteristic	1.1	Manufacturer (abbreviated description)		Jungheinrich	
	1.2	Manufacturer's type designation		AM V05	
	1.3	Drive		Manual	
	1.4	Operation		Manual	
	1.5	Load capacity/load	Q	kg	500
	1.6	Load centre distance	c	mm	400
	1.9	Wheelbase	y	mm	1120
Weights	2.1	Service weight		kg	155
	2.2	Axle load laden front/rear		kg	320 / 325
	2.3	Axle load unladen front/rear		kg	101 / 54
Wheels/suspension system	3.1	Tyres			C-GN
	3.2	Tyre size, front			Ø 180 x 50
	3.3	Tyre size, rear			Ø 82 x 40
	3.5	Wheels, number front/back (x=driven)			2/2
	3.6	Tread width, front	b ₁₀	mm	122
	3.7	Tread width, rear	b ₁₁	mm	700
Basic dimensions	4.4	Lift (h ₃)	h ₃	mm	390
	4.15	Height, lowered	h ₁₃	mm	85
	4.19	Overall length	l ₁	mm	1405
	4.20	Length including fork shank	l ₂	mm	450
	4.21.1	Overall width	b ₁	mm	760
	4.22	Fork dimensions	s/e/l	mm	50 x 50 x 955
	4.25	Width across forks	b ₅	mm	140
	4.26	Width between support arms/loading areas	b ₄	mm	640
	4.32	Ground clearance centre of wheelbase	m ₂	mm	30
	4.34.1	Aisle width (pallet 1000x1200 sideways)	A _{st}	mm	1805
	4.34.2	Aisle width (pallet 800x1200 length)	A _{st}	mm	2005
	4.35	Turning radius	W _a	mm	1425
Performance data	5.3	Lowering speed laden/unladen		m/s	0.09 / 0.05

- This data sheet according to VDI guideline 2198 only states the technical values of the standard truck. Different tyres, other masts, additional equipment etc. may result in different values.

The German production facilities in
Norderstedt, Moosburg and Landsberg
are certified.

ISO 9001
ISO 14001

Jungheinrich fork lift trucks meet
European safety requirements.



 **JUNGHEINRICH**

The Jungheinrich logo, featuring a red upward-pointing arrow above the word 'JUNGHEINRICH' in a bold, black, sans-serif font.