

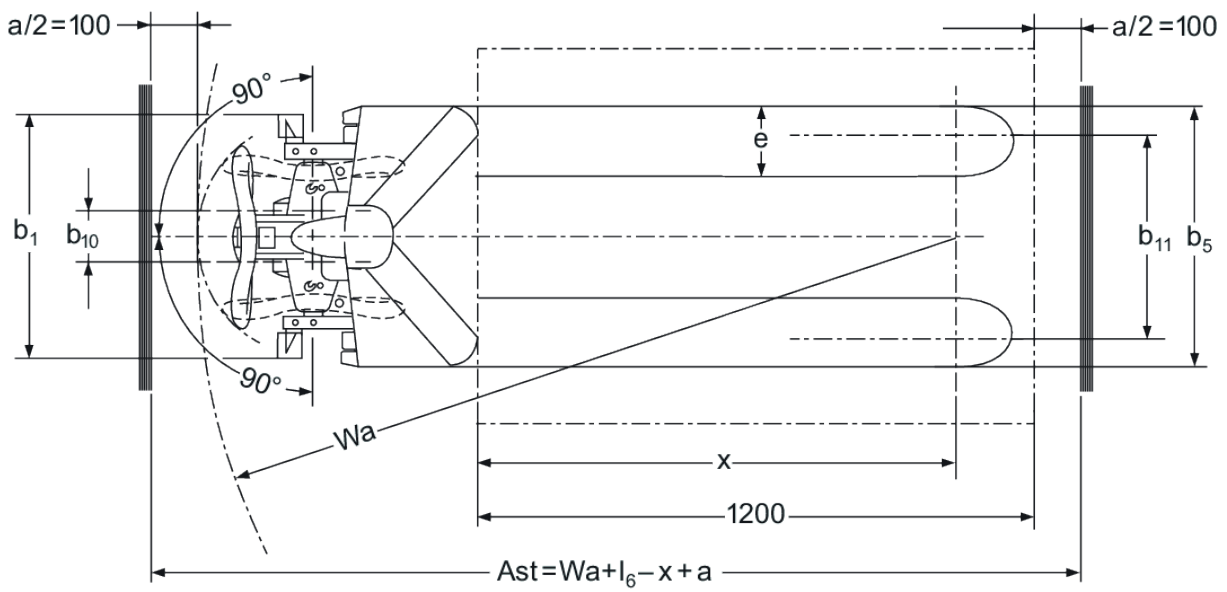
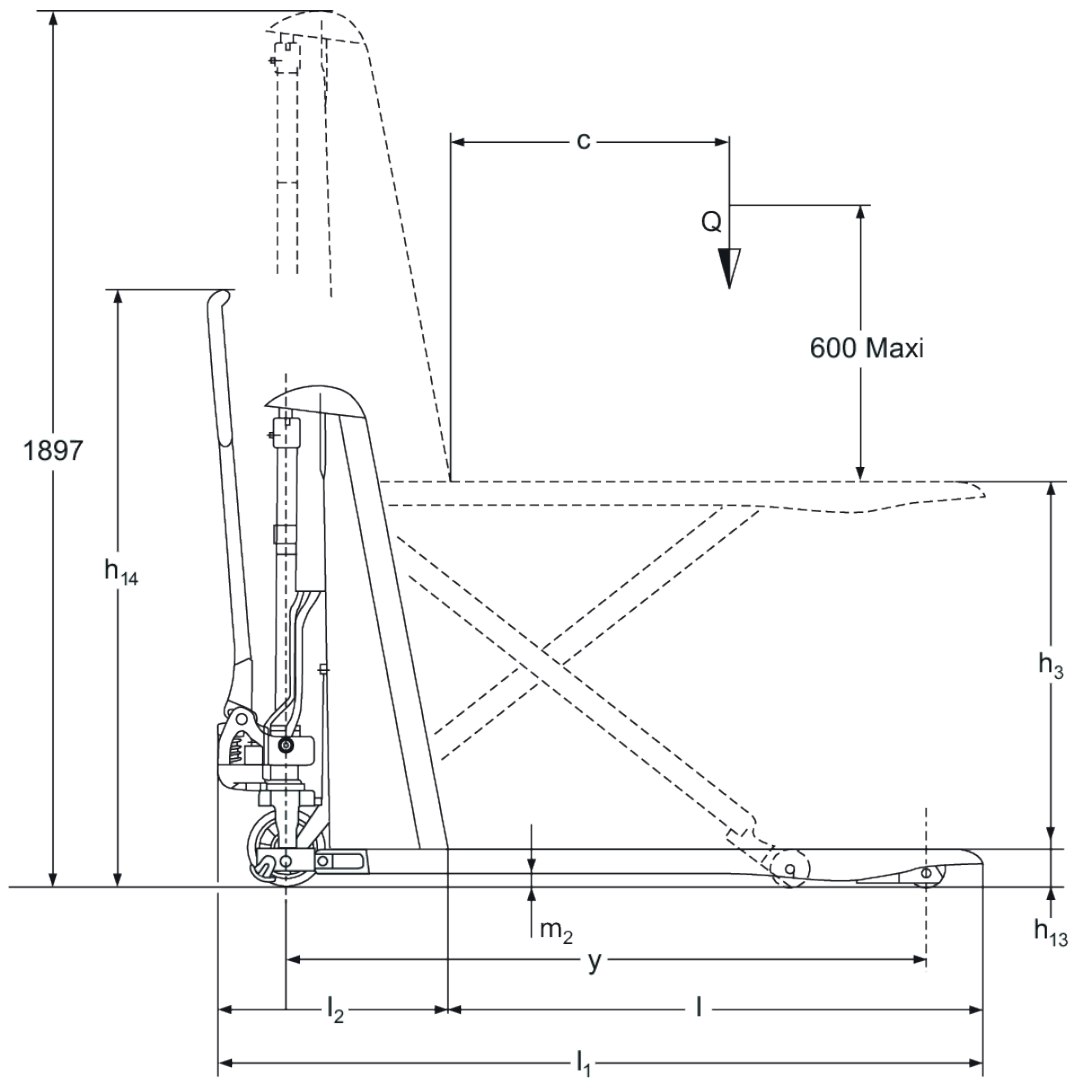


## **Scissor lift hand pallet truck** **AMX 10 / 10e**

**Lift height: 714 mm / Load capacity: 1000 kg**

**JUNGHEINRICH**





# VDI table

Stand-on: 08/2022

| Characteristic           | 1.1              | Manufacturer (abbreviated description) | Jungheinrich           |                |      |                    |        |             |      |                    |      |      |      |      |  |
|--------------------------|------------------|--|------------------------|----------------|------|--------------------|--------|-------------|------|--------------------|------|------|------|------|--|
|                          |                  |  | AMX 10e                |                |      |                    | AMX 10 |             |      |                    |      |      |      |      |  |
|                          | 1.2              | Manufacturer's type designation        |                        |                |      |                    |        |             |      |                    |      |      |      |      |  |
|                          | 1.3              | Drive                                  | Electric               | Manual         |      |                    |        |             |      |                    |      |      |      |      |  |
|                          | 1.4              | Operation                              | Manual                 |                |      |                    |        |             |      |                    |      |      |      |      |  |
|                          | 1.5              | Load capacity/load                     | Q                      | kg             |      |                    |        |             |      |                    |      |      |      |      |  |
|                          | 1.6              | Load centre distance                   | c                      | mm             |      |                    |        |             |      |                    |      |      |      |      |  |
|                          | 1.9              | Wheelbase                              | y                      | mm             | 1383 | -                  |        | 1383        | -    |                    |      |      |      |      |  |
| Weights                  | 2.1              | Service weight                         | kg                     | 195            |      |                    |        | 157         |      |                    |      |      |      |      |  |
|                          | 2.2              | Axle load laden front/rear             | kg                     | 443 / 752      |      | -                  |        | 406 / 751   |      | -                  |      |      |      |      |  |
|                          | 2.3              | Axle load unladen front/rear           | kg                     | 136 / 59       |      | -                  |        | 101 / 56    |      | -                  |      |      |      |      |  |
| Wheels/suspension system | 3.1              | Tyres                                  |                        | C-GN           | N-GN | V-GV               | N-GN   | C-GN        | V-GV | C-GN               | N-GN | V-GV | C-GN | V-GV |  |
|                          | 3.2              | Tyre size, front                       |                        | Ø 170 x 50     |      |                    |        | Ø 170 x 50  |      |                    |      | -    |      |      |  |
|                          | 3.3              | Tyre size, rear                        |                        | Ø 82 x 62      |      |                    |        | Ø 82 x 62   |      |                    |      | -    |      |      |  |
|                          | 3.5              | Wheels, number front/back (x=driven)   |                        | 2/2            |      |                    |        | 2/2         |      |                    |      | -    |      |      |  |
|                          | 3.6              | Tread width, front                     | b <sub>10</sub>        | mm             |      |                    |        |             |      |                    | 109  | -    |      |      |  |
|                          | 3.7              | Tread width, rear                      | b <sub>11</sub>        | mm             |      |                    |        |             |      |                    | 440  | -    |      |      |  |
|                          | Basic dimensions | 4.4                                    | Lift (h <sub>3</sub> ) | h <sub>3</sub> | mm   |                    |        |             |      |                    |      | 714  |      |      |  |
| 4.5                      |                  | Extended mast height (h <sub>4</sub> ) | h <sub>4</sub>         | mm             |      | 1897               | -      |             | 1897 |                    | -    |      |      |      |  |
| 4.15                     |                  | Height, lowered                        | h <sub>13</sub>        | mm             |      |                    |        |             |      |                    | 86   |      |      |      |  |
| 4.19                     |                  | Overall length                         | l <sub>1</sub>         | mm             |      | 1650               | -      |             | 1650 |                    | -    |      |      |      |  |
| 4.20                     |                  | Length including fork shank            | l <sub>2</sub>         | mm             |      | 500                | -      |             | 500  |                    | -    |      |      |      |  |
| 4.21.1                   |                  | Overall width                          | b <sub>1</sub>         | mm             |      | 560                | -      |             | 560  |                    | -    |      |      |      |  |
| 4.22                     |                  | Fork dimensions                        | s/<br>e/l              | mm             |      | 53 x 150 x<br>1150 |        | -           |      | 53 x 150 x<br>1150 |      | -    |      |      |  |
| 4.25                     |                  | Width across forks                     | b <sub>5</sub>         | mm             |      | 560                |        | 680         |      | 560                |      | 680  | 560  | 680  |  |
| 4.32                     |                  | Ground clearance centre of wheelbase   | m <sub>2</sub>         | mm             |      | 30                 |        | -           |      | 30                 |      | -    |      |      |  |
| 4.34.2                   |                  | Aisle width (pallet 800x1200 length)   | Ast                    | mm             |      | 2005               |        | -           |      | 2005               |      | -    |      |      |  |
| 4.35                     | Turning radius   | W <sub>a</sub>                         | mm                     |                | -    |                    | -      |             | 1635 |                    | -    |      |      |      |  |
| Performance data         | 5.3              | Lowering speed laden/unladen           | m/s                    | 0.13 / 0.05    |      | -                  |        | 0.11 / 0.04 |      | -                  |      |      |      |      |  |
| E-motor/ Electronics     | 6.2              | Lift motor, performance with S3        | kW                     | 0.5            |      |                    |        |             |      |                    | -    |      |      |      |  |
|                          | 6.4              | Battery voltage/nominal capacity       | V / Ah                 | 12 / 70        |      |                    |        |             |      |                    | -    |      |      |      |  |
|                          | 6.5              | Battery weight                         | kg                     | 24             |      | -                  |        |             |      |                    |      |      |      |      |  |

- This data sheet according to VDI guideline 2198 only states the technical values of the standard truck. Different tyres, other masts, additional equipment etc. may result in different values.

The German production facilities in  
Norderstedt, Moosburg and Landsberg  
are certified.

ISO 9001  
ISO 14001

Jungheinrich fork lift trucks meet  
European safety requirements.



 **JUNGHEINRICH**

The Jungheinrich logo, featuring a red upward-pointing arrow above the word 'JUNGHEINRICH' in a bold, black, sans-serif font.