



Hand pallet truck

AMX I15 / I15 e / I15 p / I15 ep

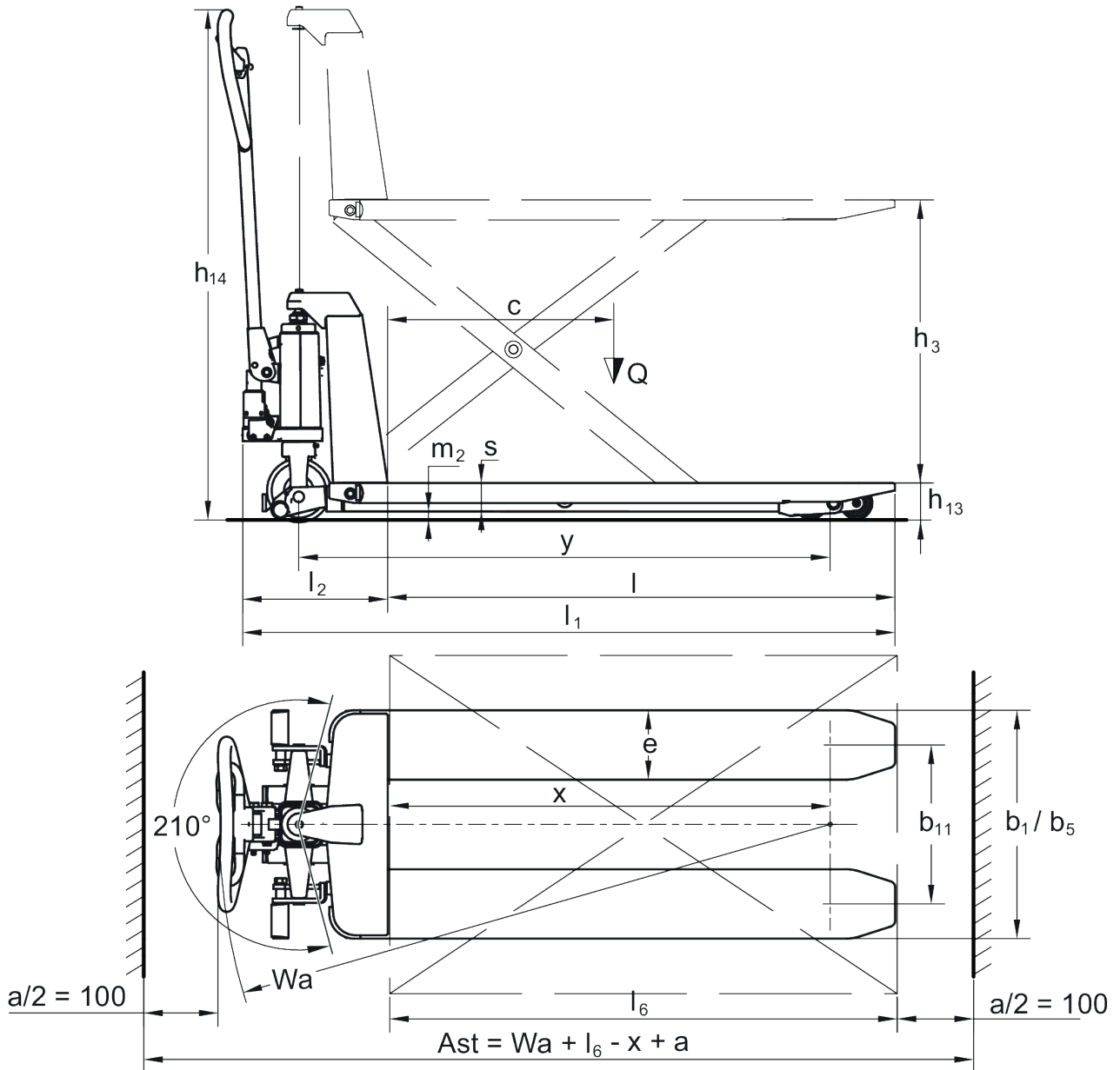
Lift height: 710 mm / Load capacity: 1500 kg

JUNGHEINRICH

AMX I15 / I15 e / I15 p / I15 ep



AMX I15 / I15 e / I15 p / I15 ep



VDI table

Stand-on: 08/2022

Characteristic	ID	Manufacturer (abbreviated description)	Jungheinrich								
			AMX I15e		AMX I15ep		AMX I15		AMX I15p		
Characteristic	1.1	Manufacturer (abbreviated description)									
	1.2	Manufacturer's type designation	AMX I15e		AMX I15ep		AMX I15		AMX I15p		
	1.3	Drive	Manual								
	1.4	Operation	Manual								
	1.5	Load capacity/load	Q kg	1500							
	1.6	Load centre distance	c mm	600							
	1.9	Wheelbase	y mm	1255							
Weights	2.1	Service weight	kg	132				125			
	2.2	Axle load laden front/rear	kg	753 / 357		753 / 387		720 / 358		750 / 358	
	2.3	Axle load unladen front/rear	kg	40 / 100				38 / 70			
Wheels/suspension system	3.1	Tyres		N-BN	V-BV	N-BN	V-BV	N-BN	V-BV	N-BN	V-BV
	3.2	Tyre size, front		Ø 150x45							
	3.3	Tyre size, rear		Ø 75x68							
	3.5	Wheels, number front/back (x=driven)		2/4							
	3.6	Tread width, front	b ₁₀ mm	145							
	3.7	Tread width, rear	b ₁₁ mm	440							
	Basic dimensions	4.4	Lift (h ₃)	h ₃ mm	710						
4.15		Height, lowered	h ₁₃ mm	85							
4.19		Overall length	l ₁ mm	1645				1580			
4.20		Length including fork shank	l ₂ mm	445				340			
4.21.1		Overall width	b ₁ mm	540							
4.22		Fork dimensions	s/e/l mm	50 x 163 x 1200							
4.25		Width across forks	b ₅ mm	540							
4.32		Ground clearance centre of wheelbase	m ₂ mm	19							
4.34.1		Aisle width (pallet 1000x1200 sideways)	Ast mm	1690				1630			
4.34.2		Aisle width (pallet 800x1200 length)	Ast mm	1890				1830			
4.35		Turning radius	W _a mm	1540				1480			
Performance data	5.3	Lowering speed laden/unladen	m/s	0.07 / 0.05				0.15 / 0.09			
	6.4	Battery voltage/nominal capacity	V / Ah	12 / 65				-			
E-motor/ Electronics	6.5	Battery weight	kg	21				-			

- This data sheet according to VDI guideline 2198 only states the technical values of the standard truck. Different tyres, other masts, additional equipment etc. may result in different values.

The German production facilities in
Norderstedt, Moosburg and Landsberg
are certified.

ISO 9001
ISO 14001

Jungheinrich fork lift trucks meet
European safety requirements.



 **JUNGHEINRICH**

The Jungheinrich logo, featuring a red upward-pointing arrow above the word 'JUNGHEINRICH' in a bold, black, sans-serif font.