



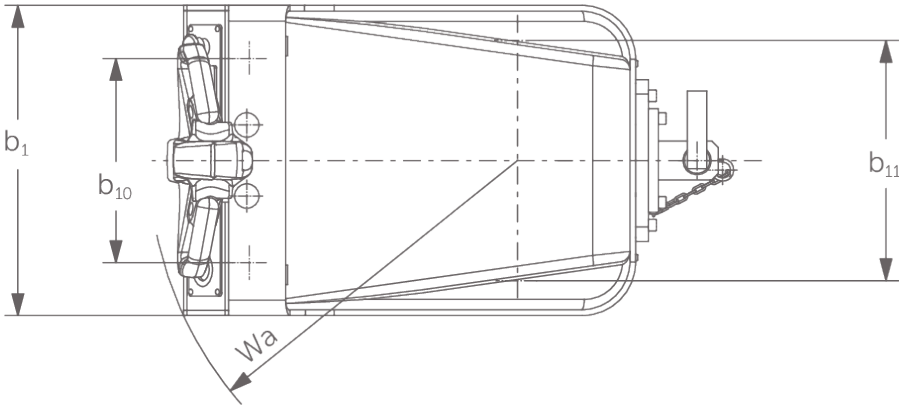
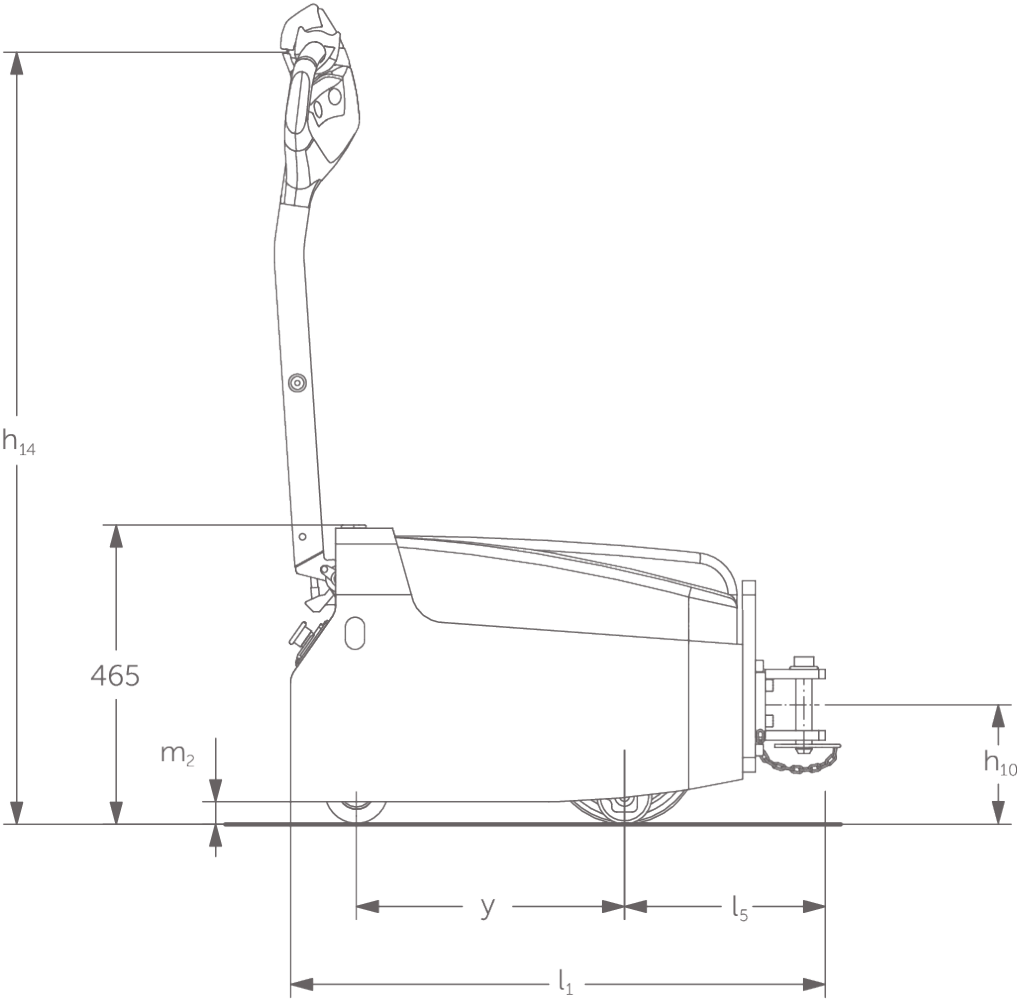
# Electric tow tractor

## **EZS 010**

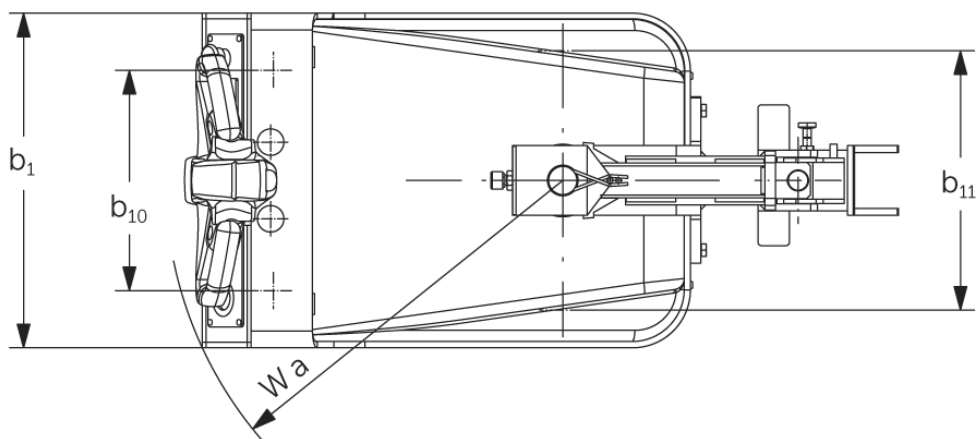
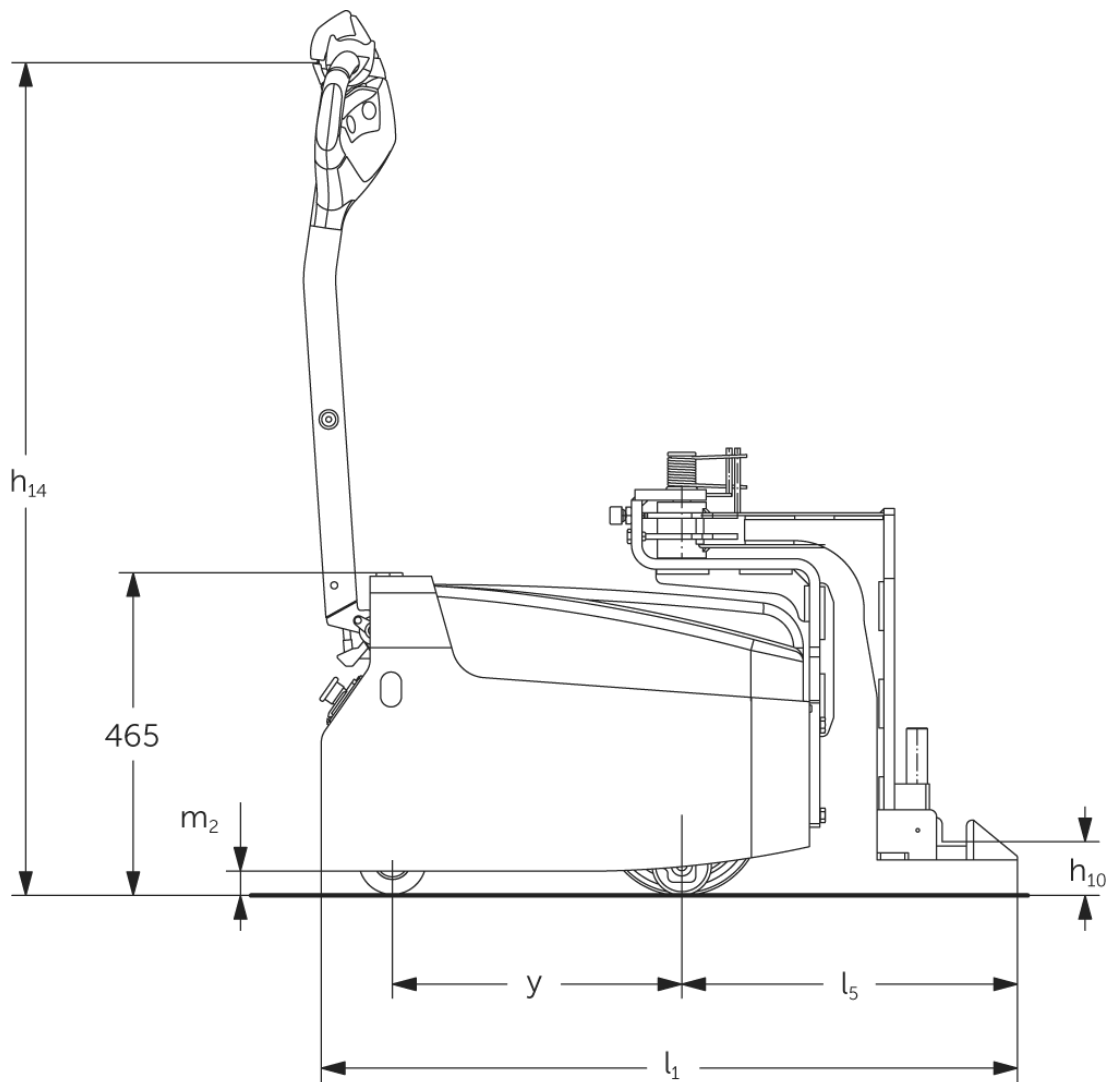
Towing capacity: 1000 kg

**JUNGHEINRICH**

# EZS 010



# EZS 010



# VDI table

Stand-on: 08/2022

Characteristic	1.1	Manufacturer (abbreviated description)		Jungheinrich	
	1.2	Manufacturer's type designation		<b>EZS 010</b>	
	1.3	Drive		Electric	
	1.4	Operation		Pedestrian	
	1.5.3	Towing capacity	Q	kg	1000
	1.7	Rated drawbar pull		N	200
	1.9	Wheelbase	y	mm	415
Weights	2.1.1	Service weight (incl. battery)		kg	190
	2.3	Axle load unladen front/rear		kg	85 / 105
Wheels/suspension system	3.1	Tyres			Polyurethane (PU) / rubber
	3.2	Tyre size, front			Ø 100 x 40
	3.3	Tyre size, rear			Ø 230 x 65
	3.5	Wheels, number front/back (x=driven)			2 / 1x + 2
	3.6	Tread width, front	b <sub>10</sub>	mm	315
	3.7	Tread width, rear	b <sub>11</sub>	mm	370
Basic dimensions	4.9	Height of tiller handle in drive position min./max.		mm	835 / 1165
	4.12	Coupling height	h <sub>10</sub>	mm	150
	4.19	Overall length	l <sub>1</sub>	mm	700
	4.21.1	Overall width	b <sub>1</sub>	mm	480
	4.32	Ground clearance centre of wheelbase	m <sub>2</sub>	mm	35
	4.35	Turning radius	W <sub>a</sub>	mm	570
Performance data	5.1	Travel speed laden/unladen		km/h	5.4 / 6
	5.1.1	Reverse travel speed with/without load		km/h	5.4 / 6
	5.5	Drawbar pull laden		N	200
	5.6	Max. drawbar pull laden/unladen		N	600 / 600
	5.10	Service brake			electromagnetic
E-motor/ Electronics	6.1	Drive motor, performance S2 60 min		kW	1
	6.4	Battery voltage/nominal capacity		V / Ah	24 / 63
	6.5	Battery weight		kg	46
Other	8.1	Type of drive control			3-phase AC technology

- This data sheet according to VDI guideline 2198 only states the technical values of the standard truck. Different tyres, other masts, additional equipment etc. may result in different values.

- VDI no. 3.3: the dimensions of the additional wheels are ø 85 x 43 mm
- VDI no. 4.12: the value for the coupling height applies to a single plug-in coupling
- VDI no. 4.17: the overhang length is 311 mm with a single plug-in coupling and 482 mm with a pivoting coupling arm
- VDI no. 4.19: the overall length is 828 mm with a single plug-in coupling and 999 mm with a pivoting coupling arm

The German production facilities in  
Norderstedt, Moosburg and Landsberg  
are certified.

ISO 9001  
ISO 14001

Jungheinrich fork lift trucks meet  
European safety requirements.



 **JUNGHEINRICH**