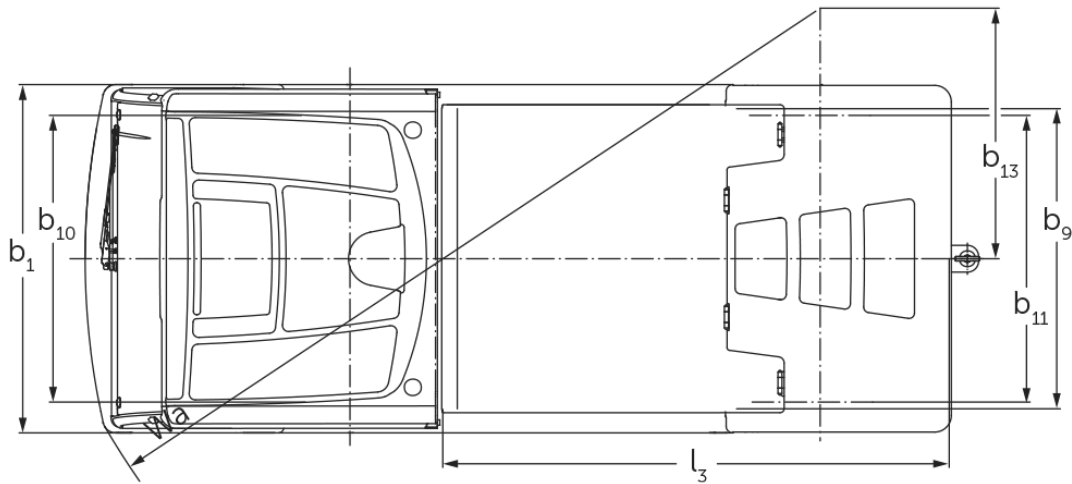
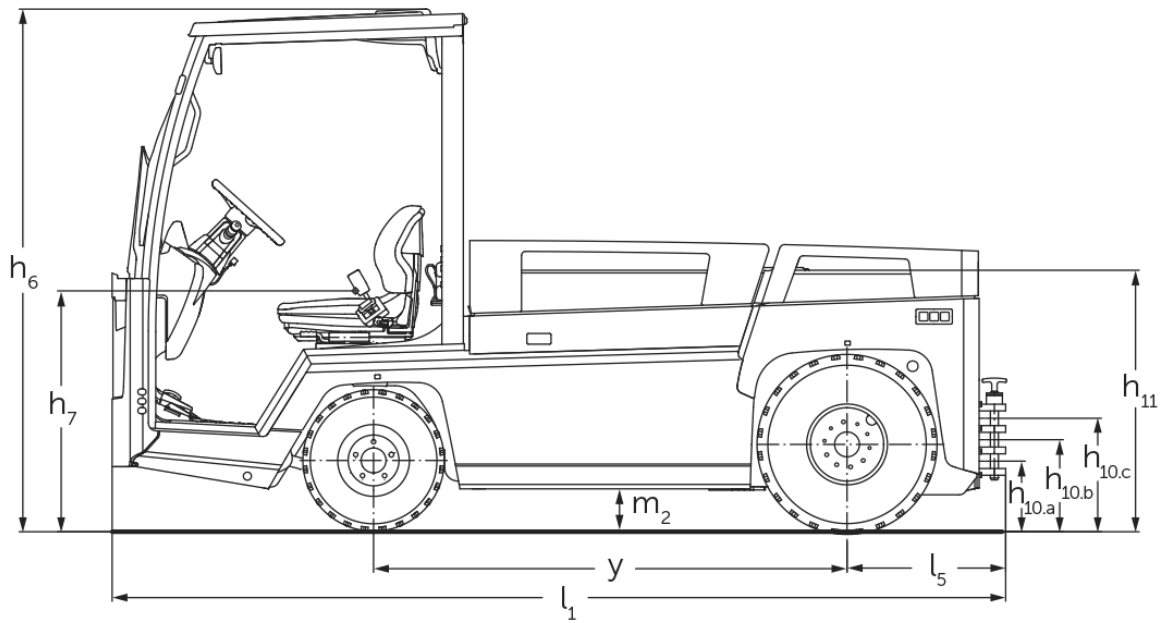




Electric tow tractor **EZS 7280**

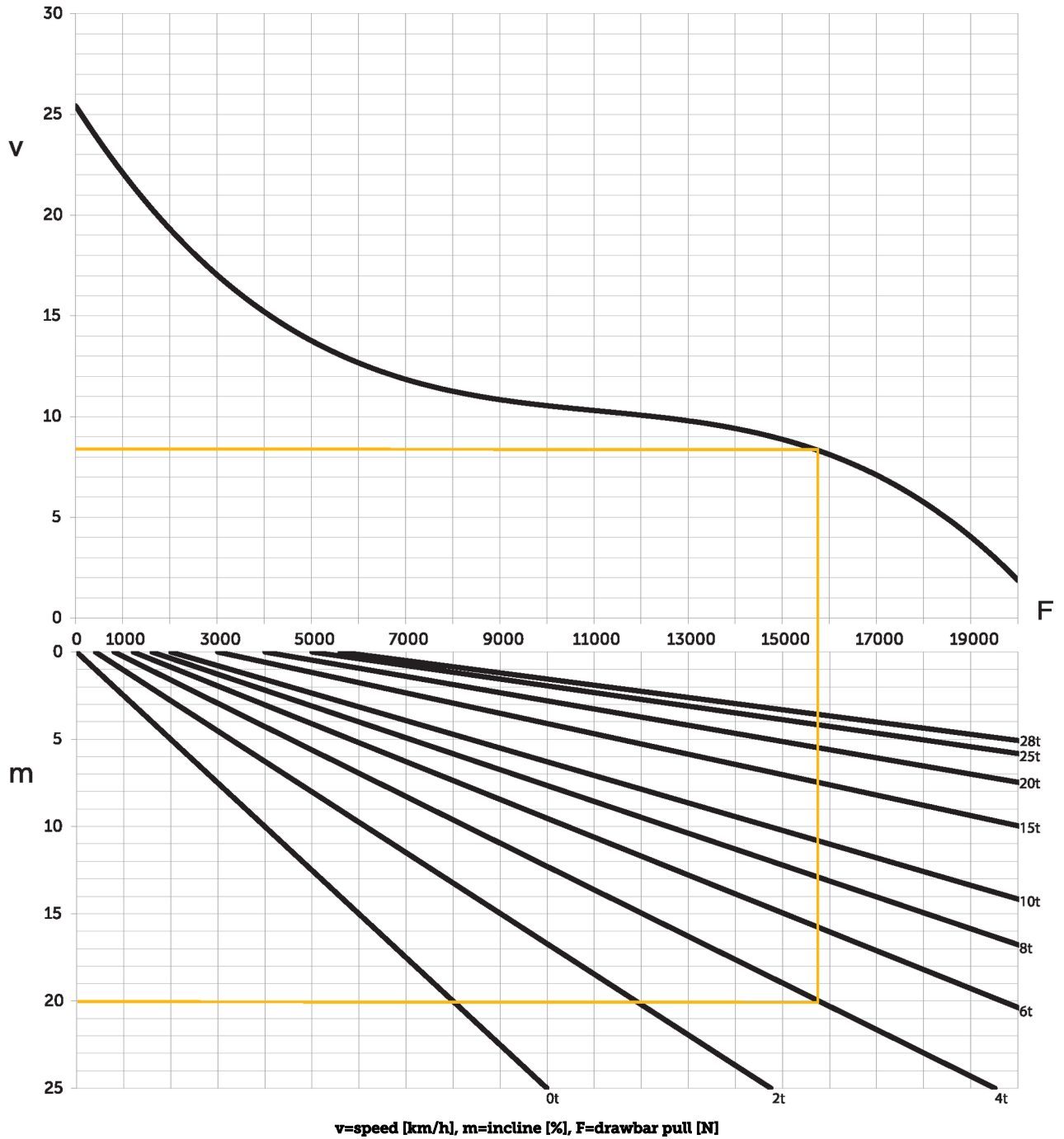
Towing capacity: 28000 kg

EZS 7280



EZS 7280

Pulling ability



VDI table

Stand-on: 08/2022

Characteristic	Item	Description			Jungheinrich	
					EZS 7280	EZS 7280 XL
Characteristic	1.1	Manufacturer (abbreviated description)			Jungheinrich	
	1.2	Manufacturer's type designation			EZS 7280	EZS 7280 XL
	1.3	Drive			Electric	
	1.4	Operation			Seat	
	1.5.3	Towing capacity	Q	kg	28000	
	1.7	Rated drawbar pull		N	5600	
	1.9	Wheelbase	y	mm	1465	1755
Weights	2.1.1	Service weight (incl. battery)		kg	4088	4796
	2.3	Axle load unladen front/rear		kg	2100 / 1988	2446 / 2350
Wheels/suspension system	3.1	Tyres			Air	
	3.2	Tyre size, front			6.00 R9	
	3.3	Tyre size, rear			7.00 R12	
	3.5	Wheels, number front/back (x=driven)			2 / 2 x	
	3.6	Tread width, front	b ₁₀	mm	1070	
	3.7	Tread width, rear	b ₁₁	mm	1070	
Basic dimensions	4.7	Height of overhead guard (cab)	h ₆	mm	1970	
	4.8	Seat height/stand height	h ₇	mm	880	
	4.12	Coupling height	h ₁₀	mm	240	
	4.12.1	2. Coupling height		mm	320	
	4.12.2	3. Coupling height		mm	400	
	4.13	Loading height, unladen		mm	1000	
	4.16	Loading area length	l ₃	mm	1536	1826
	4.17	Overhang length		mm	610	
	4.18	Loading area width	b ₉	mm	1090	
	4.19	Overall length	l ₁	mm	3045	3335
	4.21.1	Overall width	b ₁	mm	1300	
	4.32	Ground clearance centre of wheelbase	m ₂	mm	150	
	4.35	Turning radius	W _a	mm	2847	3178
	4.36	Smallest pivot point distance	b ₁₃	mm	935	1095
Performance data	5.1	Travel speed laden/unladen		km/h	12 / 25	
	5.1.1	Reverse travel speed with/without load		km/h	10 / 10	
	5.5	Drawbar pull laden		N	5600	
	5.6	Max. drawbar pull laden/unladen		N	19000 / 19000	
	5.10	Service brake			hydraulic/electric	
E-motor/ Electronics	6.1	Drive motor, performance S2 60 min		kW	20	
	6.4	Battery voltage/nominal capacity		V / Ah	80 / 620	80 / 930
	6.5	Battery weight		kg	1560	2180
Other	8.1	Type of drive control			3-phase AC technology	
	10.7	Sound level as per EN12053, operator's ear		dB (A)	60	

- This data sheet according to VDI guideline 2198 only states the technical values of the standard truck. Different tyres, other masts, additional equipment etc. may result in different values.

- VDI no. 4.12: the value for the coupling height applies to a triple coupling
- VDI no. 4.19: the specification for the overall length includes a triple coupling
- VDI no. 5.1: with a towing capacity of 25 t, the travel speed is 13 km/h
- VDI no. 10.7: the specification applies with deactivated ventilation / heating

The German production facilities in
Norderstedt, Moosburg and Landsberg
are certified.

ISO 9001
ISO 14001

Jungheinrich fork lift trucks meet
European safety requirements.



 **JUNGHEINRICH**

The Jungheinrich logo, featuring a red upward-pointing arrow above the word 'JUNGHEINRICH' in a bold, black, sans-serif font.