

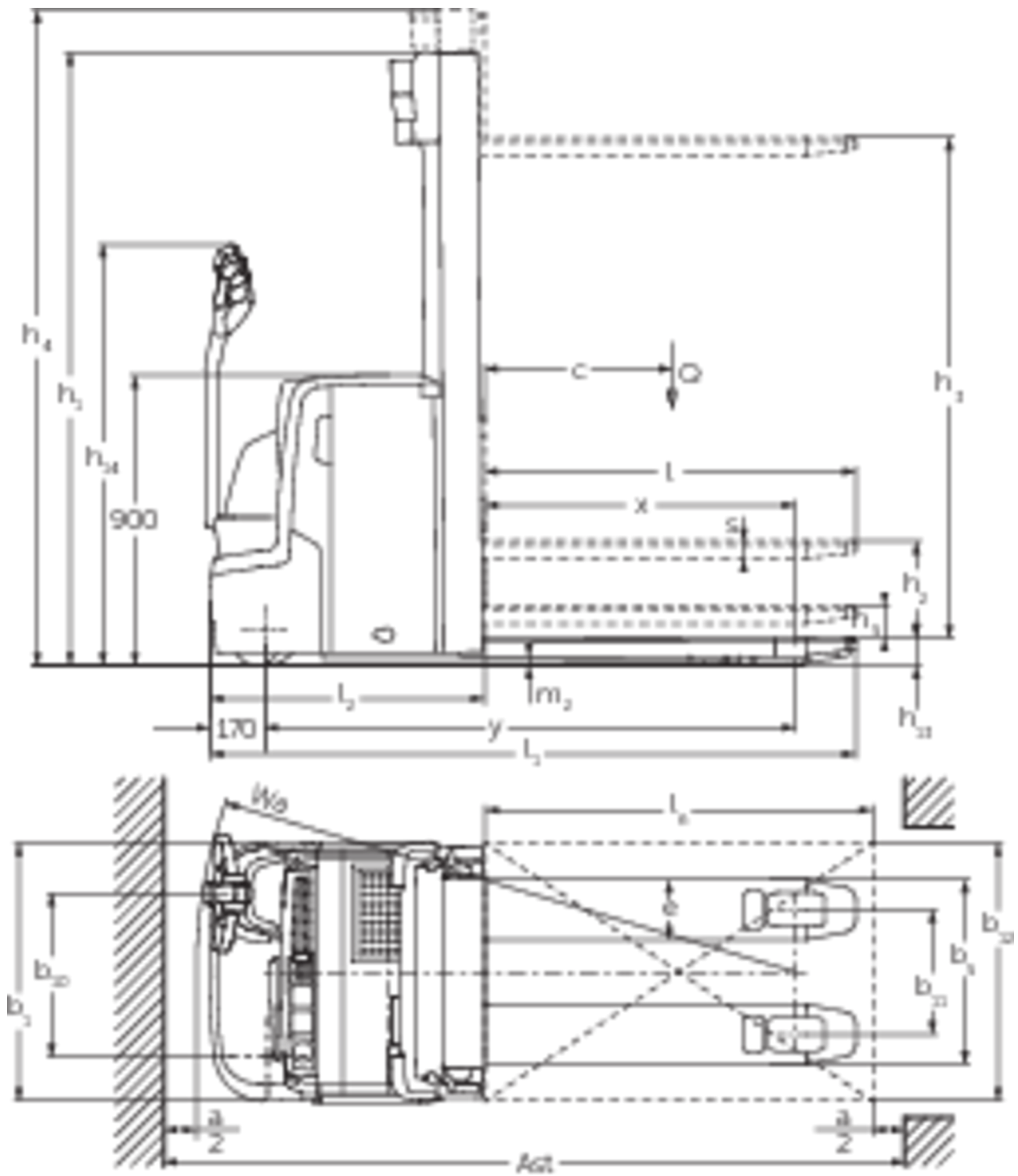


Electric pedestrian stacker with support arm lift

EJC 212z-220z

Lift height: 2400-6000 mm / Load capacity: 1200-2000 kg

EJC 212z-220z



EJC 212z-220z

| EJC 212z | Lift (h3) | Retracted mast height (h1) | Free lift (h2) | Extended mast height (h4) |
|--------------------|-----------|----------------------------|----------------|---------------------------|
| Duplex mast ZT | 2500 mm | 1750 mm | 100 mm | 2975 mm |
| | 2700 mm | 1850 mm | 100 mm | 3175 mm |
| | 2900 mm | 1950 mm | 100 mm | 3375 mm |
| | 3200 mm | 2100 mm | 100 mm | 3675 mm |
| | 3600 mm | 2300 mm | 100 mm | 4075 mm |
| | 4100 mm | 2550 mm | 100 mm | 4575 mm |
| | 4300 mm | 2650 mm | 100 mm | 4775 mm |
| Duplex mast ZZ | 2500 mm | 1700 mm | 1225 mm | 2975 mm |
| | 2900 mm | 1900 mm | 1425 mm | 3375 mm |
| | 3200 mm | 2050 mm | 1575 mm | 3675 mm |
| | 3600 mm | 2250 mm | 1775 mm | 4075 mm |
| | 4100 mm | 2500 mm | 2025 mm | 4575 mm |
| | 4300 mm | 2600 mm | 2125 mm | 4775 mm |
| Triplex mast DZ | 4090 mm | 1845 mm | 1338 mm | 4597 mm |
| | 4300 mm | 1915 mm | 1408 mm | 4807 mm |
| | 4700 mm | 2050 mm | 1543 mm | 5207 mm |
| EJC 214z | Lift (h3) | Retracted mast height (h1) | Free lift (h2) | Extended mast height (h4) |
| Duplex mast ZT | 2500 mm | 1750 mm | 100 mm | 2975 mm |
| | 2700 mm | 1850 mm | 100 mm | 3175 mm |
| | 2900 mm | 1950 mm | 100 mm | 3375 mm |
| | 3200 mm | 2100 mm | 100 mm | 3675 mm |
| | 3600 mm | 2300 mm | 100 mm | 4075 mm |
| | 4100 mm | 2550 mm | 100 mm | 4575 mm |
| | 4300 mm | 2650 mm | 100 mm | 4775 mm |
| | 4500 mm | 2750 mm | 100 mm | 4975 mm |
| Duplex mast ZZ | 2500 mm | 1700 mm | 1225 mm | 2975 mm |
| | 2900 mm | 1900 mm | 1425 mm | 3375 mm |
| | 3200 mm | 2050 mm | 1575 mm | 3675 mm |
| | 3600 mm | 2250 mm | 1775 mm | 4075 mm |
| | 4100 mm | 2500 mm | 2025 mm | 4575 mm |
| | 4300 mm | 2600 mm | 2125 mm | 4775 mm |
| Triplex mast DZ | 4090 mm | 1830 mm | 1341 mm | 4579 mm |
| | 4300 mm | 1900 mm | 1411 mm | 4789 mm |
| | 4690 mm | 2030 mm | 1541 mm | 5179 mm |
| | 5350 mm | 2250 mm | 1761 mm | 5839 mm |
| EJC 214z, EJC 216z | Lift (h3) | Retracted mast height (h1) | Free lift (h2) | Extended mast height (h4) |
| Triplex mast DZ | 6000 mm | 2500 mm | 1968 mm | 6532 mm |
| EJC 216z | Lift (h3) | Retracted mast height (h1) | Free lift (h2) | Extended mast height (h4) |
| Duplex mast ZT | 2400 mm | 1750 mm | 100 mm | 2925 mm |
| | 2600 mm | 1850 mm | 100 mm | 3125 mm |
| | 2800 mm | 1950 mm | 100 mm | 3325 mm |
| | 3100 mm | 2100 mm | 100 mm | 3625 mm |
| | 3500 mm | 2300 mm | 100 mm | 4025 mm |
| | 3800 mm | 2450 mm | 100 mm | 4325 mm |
| | 4000 mm | 2550 mm | 100 mm | 4525 mm |

| | | | | |
|------------------------|------------------|-----------------------------------|-----------------------|----------------------------------|
| | 4200 mm | 2650 mm | 100 mm | 4725 mm |
| | 4400 mm | 2750 mm | 100 mm | 4925 mm |
| Duplex mast ZZ | 2400 mm | 1700 mm | 1175 mm | 2925 mm |
| | 2800 mm | 1900 mm | 1375 mm | 3325 mm |
| | 3100 mm | 2050 mm | 1525 mm | 3625 mm |
| | 3500 mm | 2250 mm | 1725 mm | 4025 mm |
| | 4000 mm | 2500 mm | 1975 mm | 4525 mm |
| | 4200 mm | 2600 mm | 2075 mm | 4725 mm |
| Triplex mast DZ | 3990 mm | 1830 mm | 1298 mm | 4522 mm |
| | 4200 mm | 1900 mm | 1368 mm | 4732 mm |
| | 4590 mm | 2030 mm | 1498 mm | 5122 mm |
| | 5250 mm | 2250 mm | 1718 mm | 5782 mm |
| EJC 220z | Lift (h3) | Retracted mast height (h1) | Free lift (h2) | Extended mast height (h4) |
| Duplex mast ZT | 2540 mm | 1950 mm | 100 mm | 3195 mm |
| | 2840 mm | 2100 mm | 100 mm | 3495 mm |
| | 3540 mm | 2450 mm | 100 mm | 4195 mm |
| Duplex mast ZZ | 2540 mm | 1900 mm | 1245 mm | 3195 mm |
| | 2840 mm | 2050 mm | 1395 mm | 3495 mm |
| | 3540 mm | 2400 mm | 1745 mm | 4195 mm |
| Triplex mast DZ | 3750 mm | 1900 mm | 1218 mm | 4432 mm |
| | 4200 mm | 2050 mm | 1368 mm | 4882 mm |
| | 4800 mm | 2250 mm | 1568 mm | 5482 mm |

VDI table

Stand-on: 10/2023

| Characteristic | Item | Description | Unit | Jungheinrich | | | |
|--------------------------|--------------------------------------|---|--------------|-------------------|-------------|-------------|-------------|
| | | | | EJC 212z | EJC 214z | EJC 216z | EJC 220z |
| Characteristic | 1.1 | Manufacturer (abbreviated description) | | | | | |
| | 1.2 | Manufacturer's type designation | | | | | |
| | 1.3 | Drive | | Electric | | | |
| | 1.4 | Operation | | Pedestrian | | | |
| | 1.5 | Load capacity/load | Q kg | 1200 | 1400 | 1600 | 2000 |
| | 1.5.1 | Rated capacity/load with mast lift | Q kg | 1200 | 1400 | 1600 | 2000 |
| | 1.5.2 | Rated capacity/load with support arm lift | Q kg | 2000 | | | |
| | 1.6 | Load centre distance | c mm | 600 | | | |
| | 1.8 | Load distance, centre of drive axle to fork | x mm | 910 | | | |
| 1.9 | Wheelbase | y mm | 1571 | 1592 | | | |
| Weights | 2.1.1 | Service weight (incl. battery) | kg | 1180 | 1240 | 1260 | 1300 |
| | 2.2 | Axle load laden front/rear | kg | 1105 / 1275 | 1180 / 1460 | 1250 / 1610 | 1300 / 2000 |
| | 2.3 | Axle load unladen front/rear | kg | 840 / 340 | 880 / 360 | 900 / 360 | 910 / 390 |
| Wheels/suspension system | 3.1 | Tyres | | Polyurethane (PU) | | | |
| | 3.2 | Tyre size, front | | Ø 230 x 70 | | | |
| | 3.3 | Tyre size, rear | | Ø 85 x 95 | | Ø 85 x 75 | |
| | 3.4 | Additional wheels | | Ø 140 x 54 | | | |
| | 3.5 | Wheels, number front/back (x=driven) | | 1x + 1 / 2 | | 1x + 1 / 4 | |
| | 3.6 | Tread width, front | b10 mm | 507 | | | |
| | 3.7 | Tread width, rear | b11 mm | 385 | | | |
| Basic dimensions | 4.2 | Retracted mast height (h1) | h1 mm | 1950 | | | 2100 |
| | 4.3 | Free lift (h2) | h2 mm | 100 | | | |
| | 4.4 | Lift (h3) | h3 mm | 2900 | 2800 | 2840 | |
| | 4.5 | Extended mast height (h4) | h4 mm | 3375 | 3325 | 3495 | |
| | 4.6 | Initial lift | h5 mm | 122 | | | |
| | 4.9 | Height of tiller handle in drive position min./max. | h14 mm | 850 / 1305 | | | |
| | 4.15 | Height, lowered | h13 mm | 90 | | | |
| | 4.19 | total length | l1 mm | 1981 | 2002 | | |
| | 4.20 | Length including fork shank | l2 mm | 831 | 852 | | |
| | 4.21.1 | total width | b1 mm | 800 | | | |
| | 4.22 | Fork dimensions | s/ e/l mm | 56 x 185 x 1150 | | | |
| | 4.25 | Width across forks | b5 mm | 570 | | | |
| | 4.32 | Ground clearance centre of wheelbase | m2 mm | 18 | | | |
| | 4.34.1 | Aisle width (pallet 1000x1200 sideways) | Ast mm | 2217 | 2238 | | |
| 4.34.2 | Aisle width (pallet 800x1200 length) | Ast mm | 2267 | 2288 | | | |
| 4.35 | Turning radius | Wa mm | 1777 | 1798 | | | |
| Performance data | 5.1 | Travel speed laden/unladen | km/h | 6 / 6 | | | |
| | 5.2 | Lift speed laden/unladen | m/s | 0.2 / 0.4 | 0.16 / 0.3 | 0.15 / 0.3 | 0.11 / 0.34 |
| | 5.3 | Lowering speed laden/unladen | m/s | 0.45 / 0.35 | | | 0.5 / 0.35 |
| | 5.8 | Max. gradeability laden/unladen | % | 8 / 16 | | 7 / 16 | 5 / 16 |
| E-motor/Electronics | 6.1 | Drive motor, performance S2 60 min | kW | 1.6 | | | |
| | 6.2 | Lift motor, performance with S3 | kW | 3 | | | |
| | 6.3 | Battery according to DIN 43531/35/36 | | no | | | |
| | 6.4 | Battery voltage/nominal capacity | V / Ah | 24 / 375 | | | |
| | 6.5 | Battery weight | kg | 300 | | | 288 |
| | 6.6 | Energy consumption according to VDI cycle | kWh/h | 1.05 | 1.18 | 1.32 | 0 |

| | | | | | | | |
|---|-------|--|--------|------|------|------|------|
| | 6.6.1 | Energy consumption according to EN cycle | kWh/h | 0.77 | 0.83 | 0.91 | 1.08 |
| | 6.6.2 | CO2 equivalent as per EN 16796 | kg/h | 0.4 | | 0.5 | 0.6 |
| Other | 8.1 | Type of drive control | | AC | | | |
| | 10.7 | Sound level as per EN12053, operator's ear | dB (A) | 63 | | | |
| - This data sheet according to VDI guideline 2198 only states the technical values of the standard truck. Different tyres, other masts, additional equipment etc. may result in different values. | | | | | | | |

The values in the table apply for the LX-LBE battery compartment; mast ZT2800 / 2840 / 2900 mm, raised support arms.
The battery compartments have no influence on the truck dimensions.

- VDI no. 1.8 with EJC 212z / 214z / 216z: with DZ mast: x - 42 mm; with lowered support arms: x + 54 mm.
- VDI no. 1.8 with EJC 220z: with DZ mast: x - 71 mm; with lowered support arms: x + 54 mm.
- VDI no. 1.9: with lowered support arms: x + 54 mm.
- VDI no. 3.3: tandem: Ø 85 x 75 mm.
- VDI no. 4.19 with EJC 212z / 214z / 216z: with DZ mast: l1 + 42 mm.
- VDI no. 4.19 with EJC 220z: with DZ mast: l1 + 71 mm.
- VDI no. 4.20 with EJC 212z / 214z / 216z: with DZ mast: l2 + 42 mm.
- VDI no. 4.20 with EJC 220z: with DZ mast: l2 + 71 mm.
- VDI no. 4.34.1 with EJC 212z / 214z / 216z: diagonal as per VDI: aisle width + 367 mm. with DZ mast: aisle width + 42 mm.
- VDI no. 4.34.1 with EJC 220z: diagonal as per VDI: aisle width + 367 mm. with DZ mast: aisle width + 71 mm.
- VDI no. 4.34.2 with EJC 212z / 214z / 216z: diagonal as per VDI: aisle width + 204 mm. with DZ mast: aisle width + 42 mm.
- VDI no. 4.34.2 with EJC 220z: diagonal as per VDI: aisle width + 204 mm. with DZ mast: aisle width + 71 mm.
- VDI no. 4.35: with lowered support arms: + 54 mm.
- VDI no. 5.3: with ZZ / DZ mast: the lowering speed in free lift is below the specified values.
- VDI no. 5.8: the values in the table relate to the rated load (1.5). With maximum load in the support arm lift (1.5.2): max. gradeability laden = 5%.

The German production facilities in
Norderstedt, Moosburg and Landsberg
are certified as well as our Genuine Parts
Center in Kaltenkirchen. ISO 9001
ISO 14001

Jungheinrich fork lift trucks meet
European safety requirements. 

**JUNGHEINRICH**